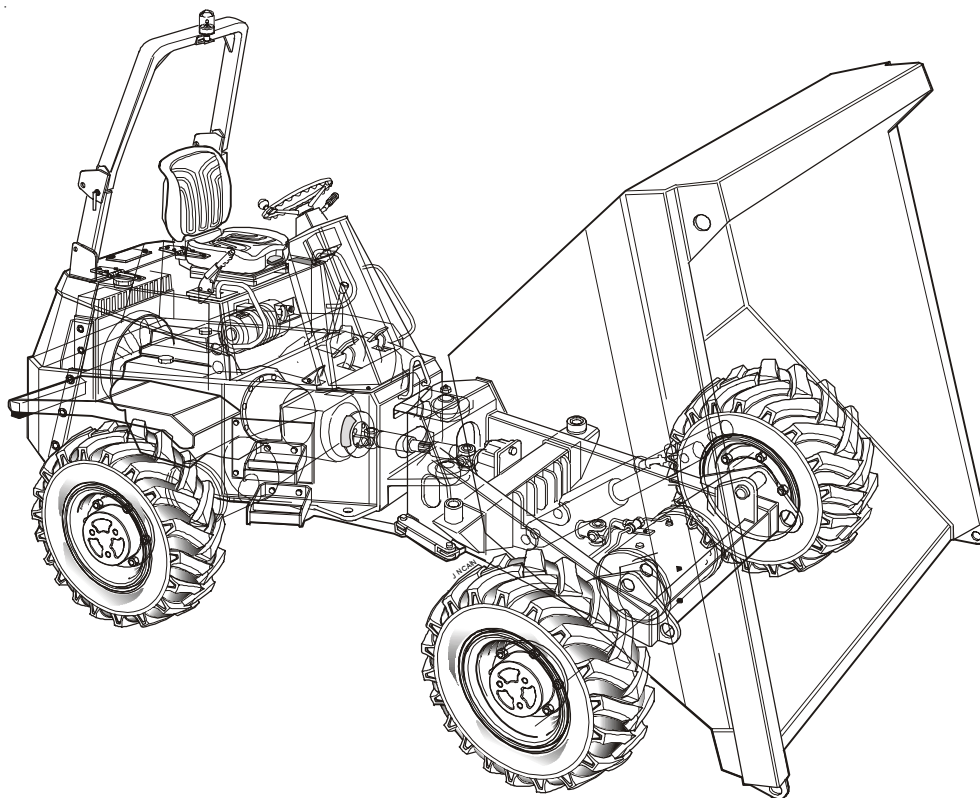
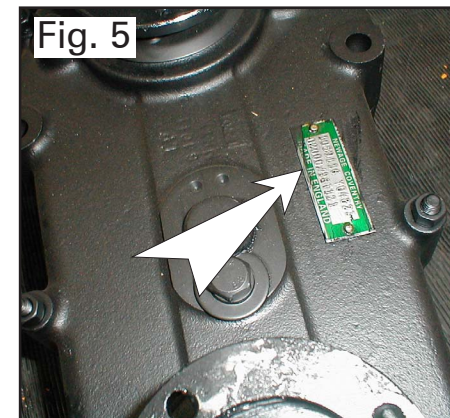
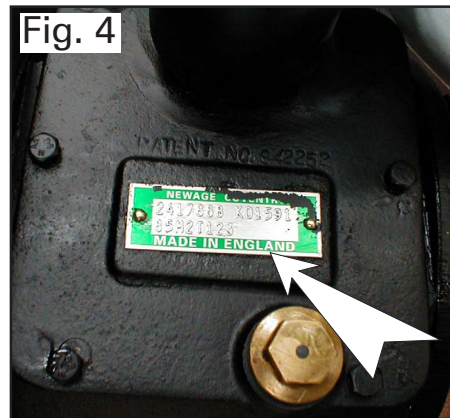
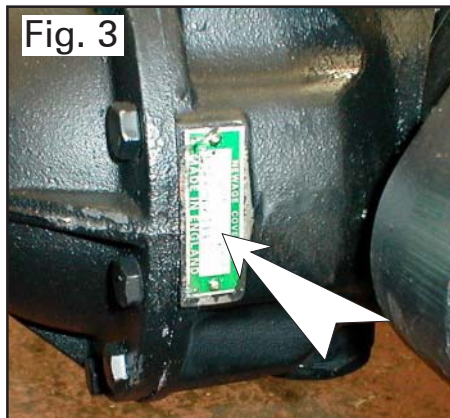
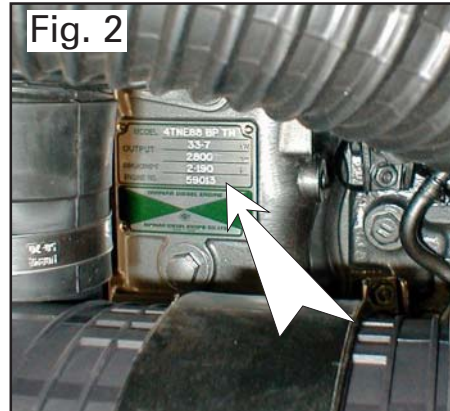
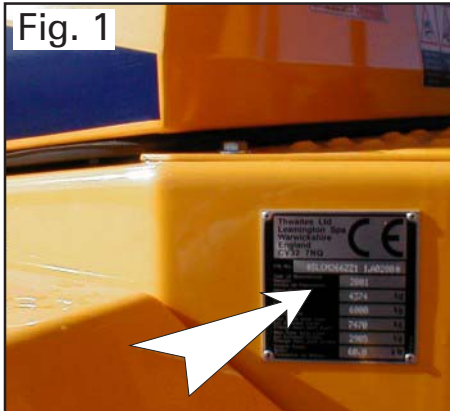


Thwaites**240 - 4 TONNE FORWARD TIP****allparts****Thwaites**
allparts

Thwaites Ltd
Leamington Spa
Warwickshire
CV32 7NQ
Tel +44 (0)1926 422471
Fax +44 (0)1926 450458
www.thwaitesdumpers.co.uk

FROM VIN No. A0507**DATED** 5th NOVEMBER 2001**VIN No.** A _ _ _ _ _**ENGINE BUILD No.** 4TNE88-EWA2**PAYLOAD** 4 TONNE**SKIP** FORWARD TIP**TRANSMISSION** MANUAL**TYPE** MACH 240**PREFIX No.** 05

MACHINE IDENTIFICATION



Serial Numbers

Note machine serial numbers. Always quote them in communication with Thwaites dealer or Head Office.

Model Type (Fig 1.)

Vin N° (Fig. 1)

Engine Serial N° (Fig. 2)

Axle Serial N° (Fig. 3) Front
Rear

Gearbox N° (Fig. 4)

Transfer Box N° (Fig. 5)

VEHICLE IDENTIFICATION NUMBER - (VIN)

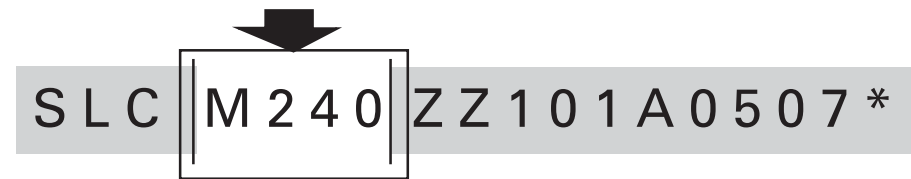
Thwaites have now adopted the international identification system known as VEHICLE IDENTIFICATION NUMBER normally referred to as VIN.



The VIN number incorporates a number of security features and also the machine model and individual serial number.

Important note: *Do not use this parts manual to order replacement spares if the prefix level of your machine is higher than the number quoted at the front of this parts manual.*

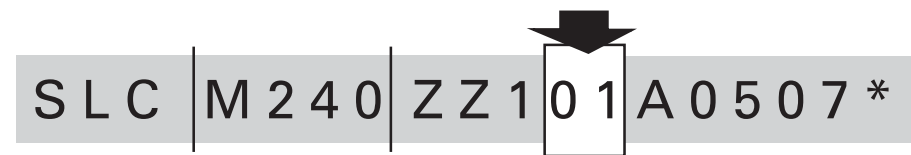
When ordering replacement spares it is important that the model or MACH number is used to identify the correct parts manual.



The year of manufacture:



The Machine Parts Manual issue level denoted by the two digit Prefix Number:

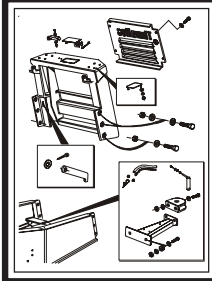


The unique machine serial number:



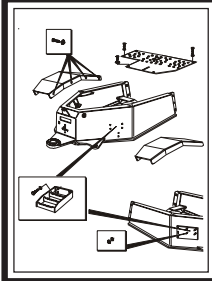
Please ensure that these numbers are quoted in all correspondence with your Thwaites distributor.

REAR COVER ASSEMBLY



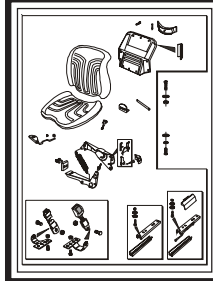
PAGE 1

REAR CHASSIS ASSEMBLY



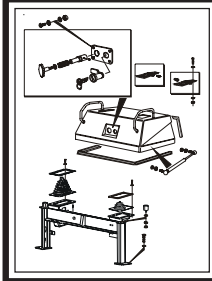
PAGE 2

SEAT ASSEMBLY



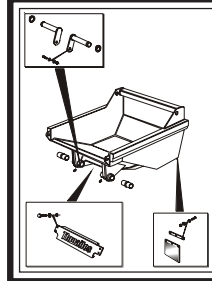
PAGE 3

ENGINE COVER ASSEMBLY



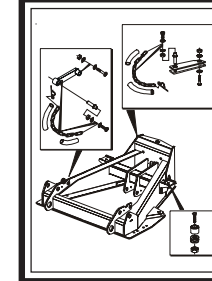
PAGE 4

SKIP ASSEMBLY



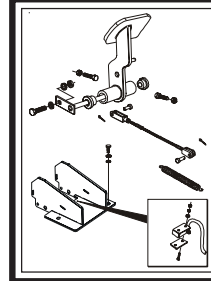
PAGE 5

FRONT CHASSIS ASSEMBLY



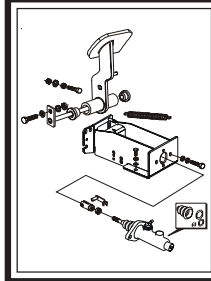
PAGE 6

CLUTCH PEDAL ASSEMBLY



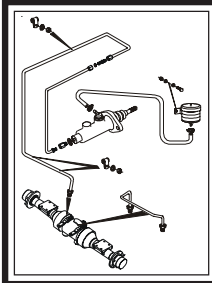
PAGE 7

BRAKE PEDAL ASSEMBLY



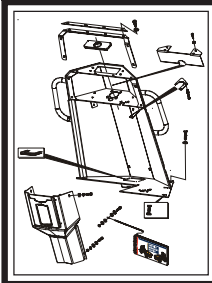
PAGE 8

BRAKE CIRCUIT



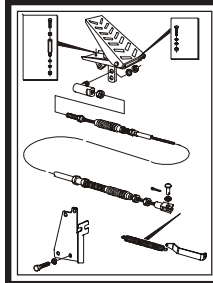
PAGE 9

LEG GUARD ASSEMBLY



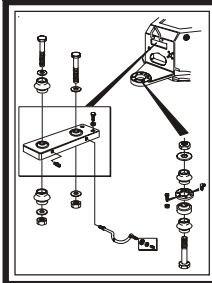
PAGE 10

THROTTLE ASSEMBLY



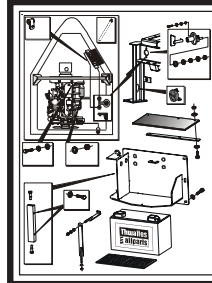
PAGE 11

KINGLINK ASSEMBLY



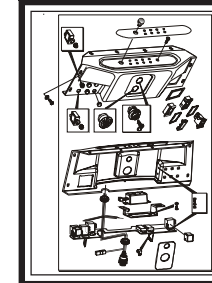
PAGE 12

BATTERY BOX ASSEMBLY



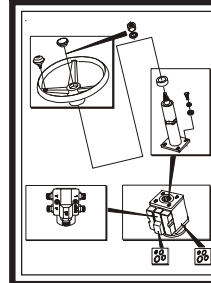
PAGE 13

DASH PANEL ASSEMBLY



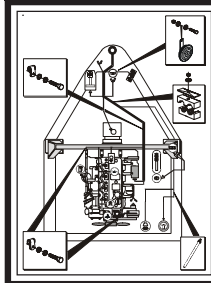
PAGE 14

STEERING ASSEMBLY



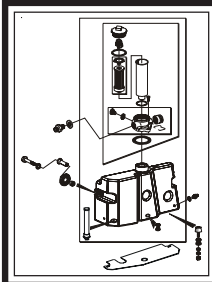
PAGE 15

ENGINE HARNESS



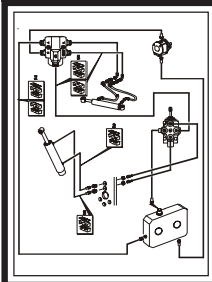
PAGE 16

HYD. TANK ASSEMBLY



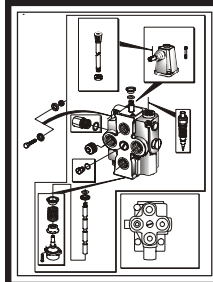
PAGE 17 & 18

HYD. CIRCUIT CONTROLS



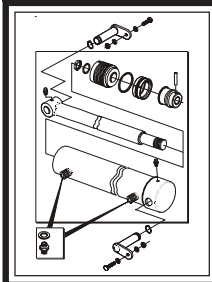
PAGE 19

TIPPING VALVE ASSEMBLY



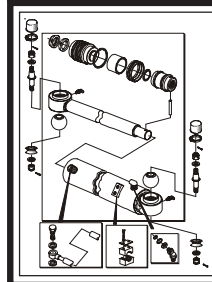
PAGE 20

TIPPING RAM ASSEMBLY



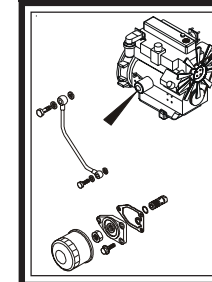
PAGE 21

STEERING RAM ASSEMBLY



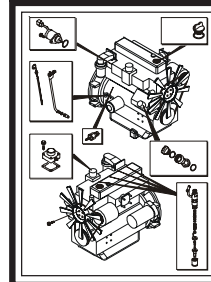
PAGE 22

ENGINE - OIL FILTER ASSY.



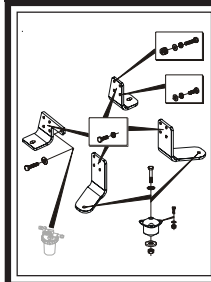
PAGE 23

ENGINE ACCESSORIES



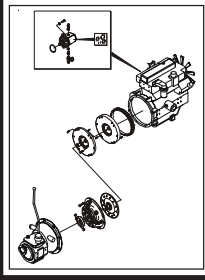
PAGE 24

ENGINE MOUNTINGS



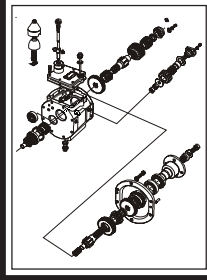
PAGE 25

CLUTCH ASSY. & HYD. PUMP



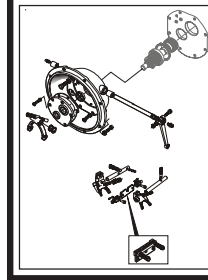
PAGE 26

GEARBOX - INTERNAL



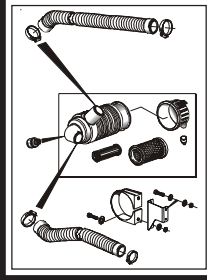
PAGE 27 & 28

G/BOX - FORKS & HOUSING



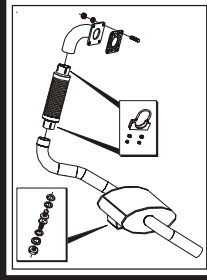
PAGE 29 & 30

AIR CLEANER ASSEMBLY



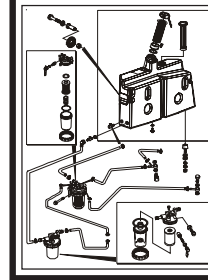
PAGE 31

EXHAUST SYSTEM



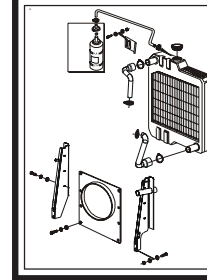
PAGE 32

FUEL TANK ASSEMBLY



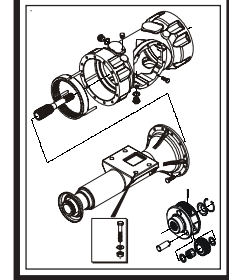
PAGE 33 & 34

RADIATOR & FIXINGS



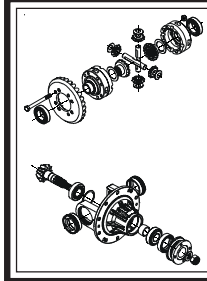
PAGE 35

FRONT AXLE - MAIN CASE



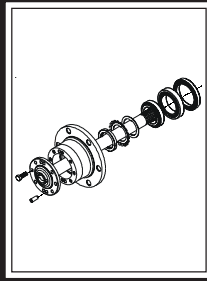
PAGE 36

FRONT AXLE - DIFF ASSEMBLY



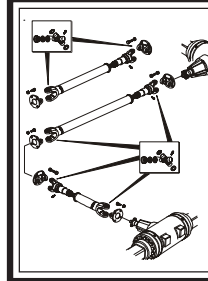
PAGE 37

FRONT AXLE - HUB & ARM



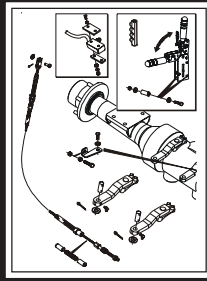
PAGE 38

PROPSHAFTS



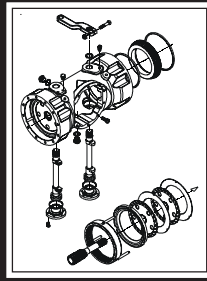
PAGE 39

HANDBRAKE ASSEMBLY



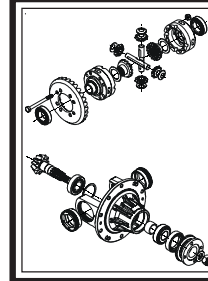
PAGE 40

REAR AXLE - MAIN CASE



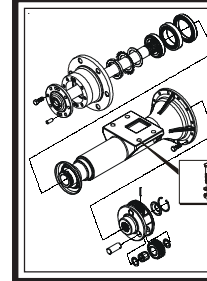
PAGE 41

REAR AXLE - DIFF. ASSEMBLY



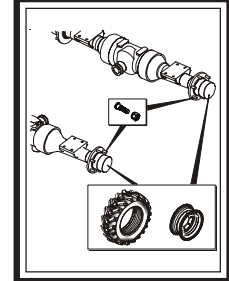
PAGE 42

REAR AXLE - HUB & ARM



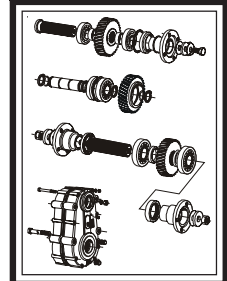
PAGE 43

WHEEL ASSEMBLY



PAGE 44

TRANSFER BOX



PAGE 45 & 46

OPTIONAL EXTRAS



PAGE 47

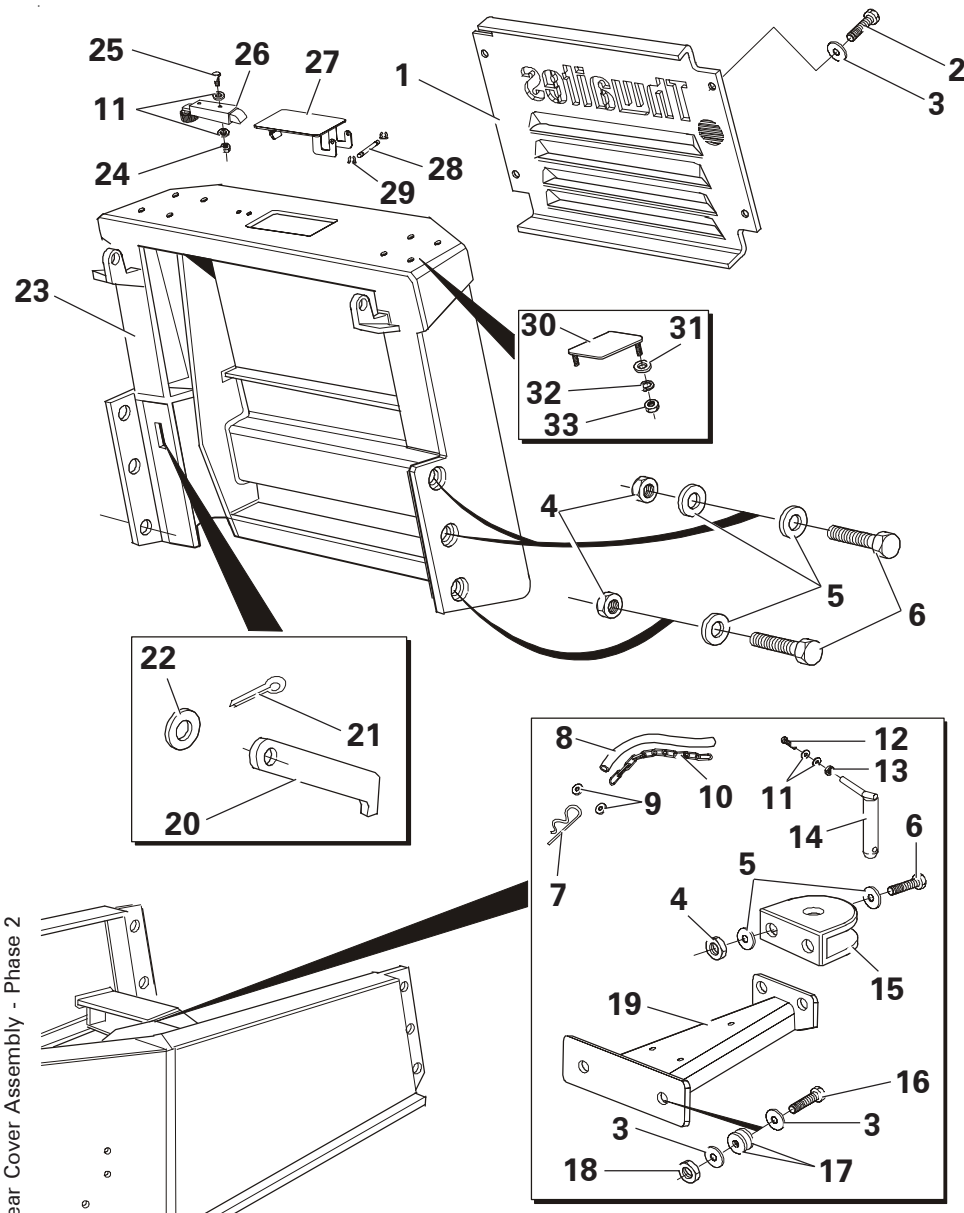
MODIFICATIONS & ADDITIONS



PAGE 48, 49 & 50

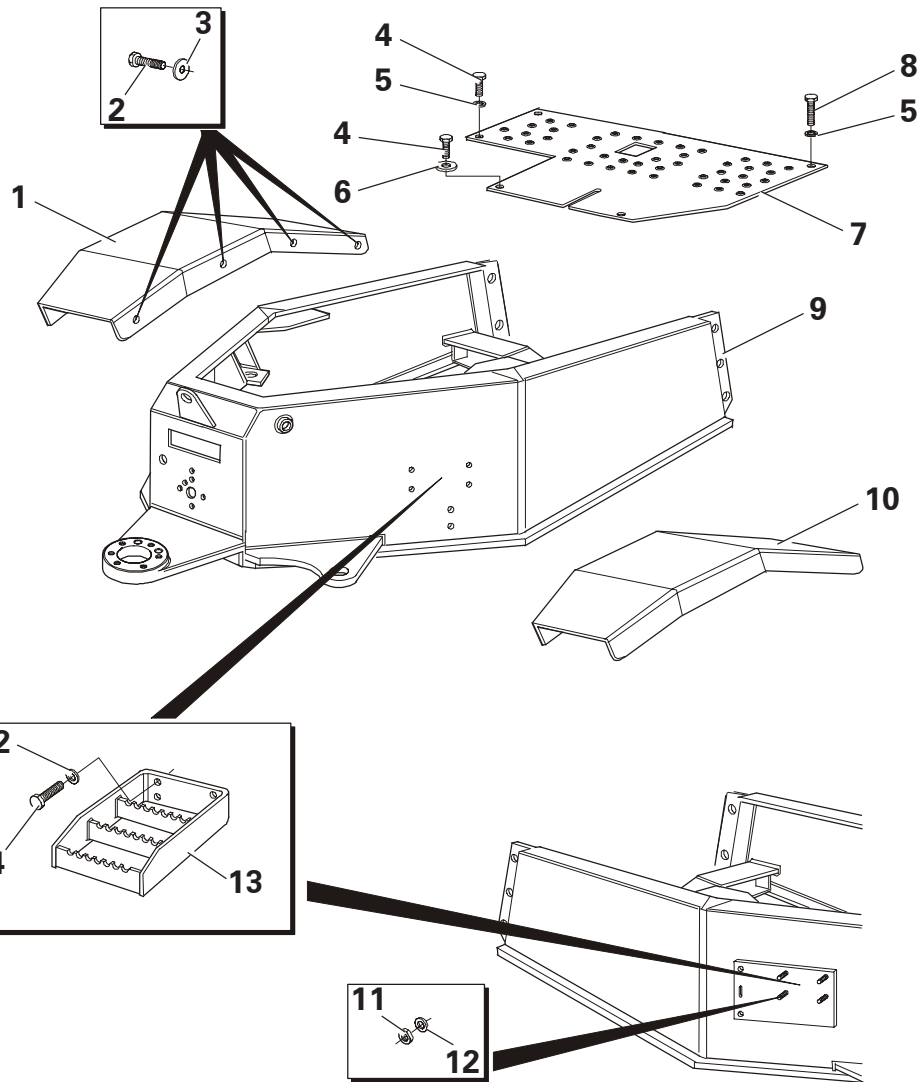
REAR COVER ASSEMBLY

| Item | Part No. | Description | Qty | U/M |
|------|----------|---------------------------|------|-----|
| 1 | T100519 | REAR GRILL | 1.0 | EA |
| 2 | T14077 | BOLT | 4.0 | EA |
| 3 | T14748 | PLAIN WASHER | 8.0 | EA |
| 4 | T14910 | STOVER NUT | 8.0 | EA |
| 5 | T100867 | PLAIN WASHER | 14.0 | EA |
| 6 | T11315 | BOLT | 8.0 | EA |
| 7 | T6075 | LYNCH PIN | 1.0 | EA |
| 8 | T17508 | CHAIN SLEEVE | 1.0 | EA |
| 9 | T15830 | FLAT WASHER | 2.0 | EA |
| 10 | T14285 | RETAINING CHAIN | 1.0 | EA |
| 11 | T13911 | FLAT WASHER | 6.0 | EA |
| 12 | T16477 | BOLT | 1.0 | EA |
| 13 | T10431 | NUT | 1.0 | EA |
| 14 | T100156 | TOWING PIN | 1.0 | EA |
| 15 | T100155 | TOWING JAW | 1.0 | EA |
| 16 | T14078 | BOLT | 2.0 | EA |
| 17 | T6769 | THICK WASHER | 4.0 | EA |
| 18 | T14283 | PHILIDAS NUT | 2.0 | EA |
| 19 | T100563 | TOWING BRACKET ASSY | 1.0 | EA |
| 20 | T100466 | STRAP RETAINER | 1.0 | EA |
| 21 | T6751 | SPLIT PIN | 1.0 | EA |
| 22 | T6768 | WASHER | 1.0 | EA |
| 23 | T100515 | REAR COVER | 1.0 | EA |
| 24 | T13910 | PHILIDAS LOCKNUT | 2.0 | EA |
| 25 | T18162 | BUTTON HD.SOCKET SCREW | 2.0 | EA |
| 26 | T100631 | SLAMBOLT | 1.0 | EA |
| 27 | T100306 | RADIATOR COVER | 1.0 | EA |
| 28 | T100327 | HINGE PIN | 1.0 | EA |
| 29 | T100329 | RETAINING CLIP | 2.0 | EA |
| 30 | T100778 | ROPS MOUNTING COVER PLATE | 2.0 | EA |
| 31 | T15819 | PLAIN WASHER | 4.0 | EA |
| 32 | T13362 | SPRING WASHER | 4.0 | EA |
| 33 | T12509 | NUT | 4.0 | EA |



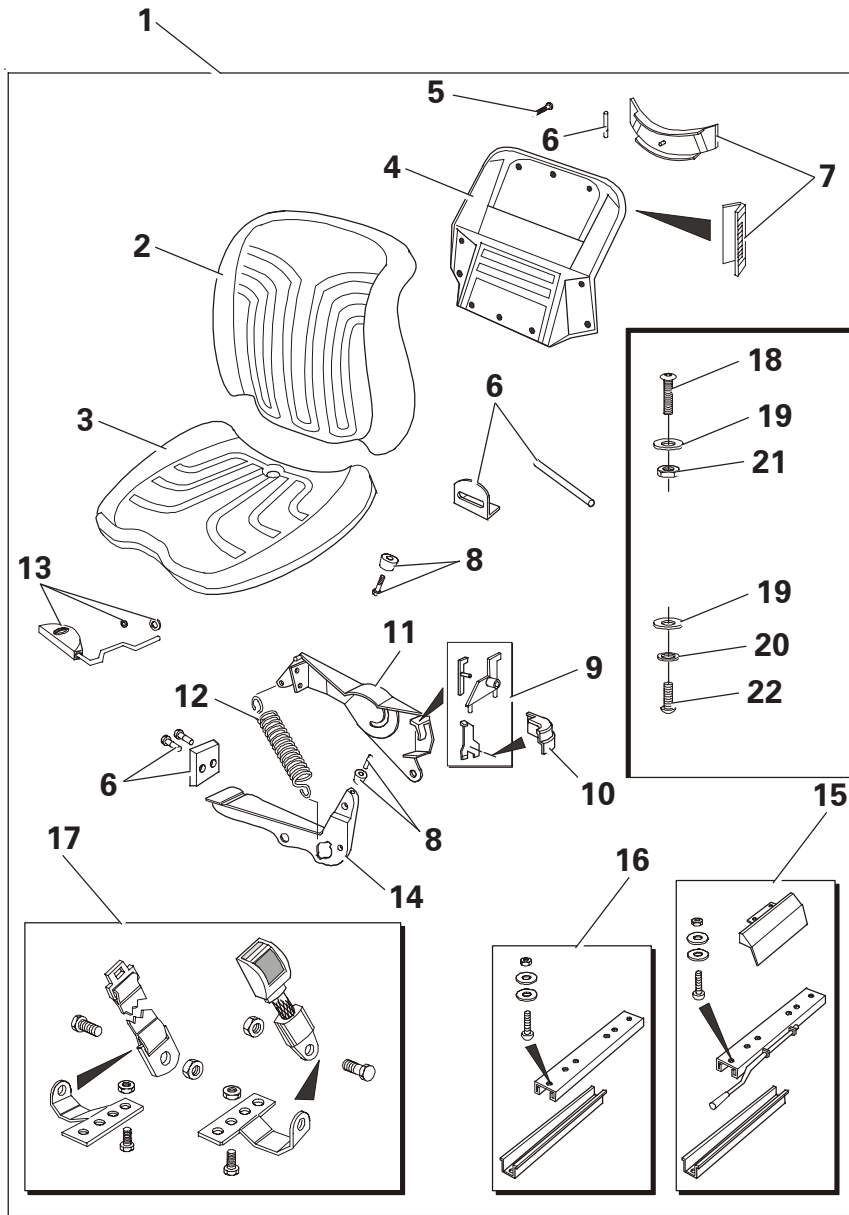
Rear Cover Assembly - Phase 2

REAR CHASSIS ASSEMBLY



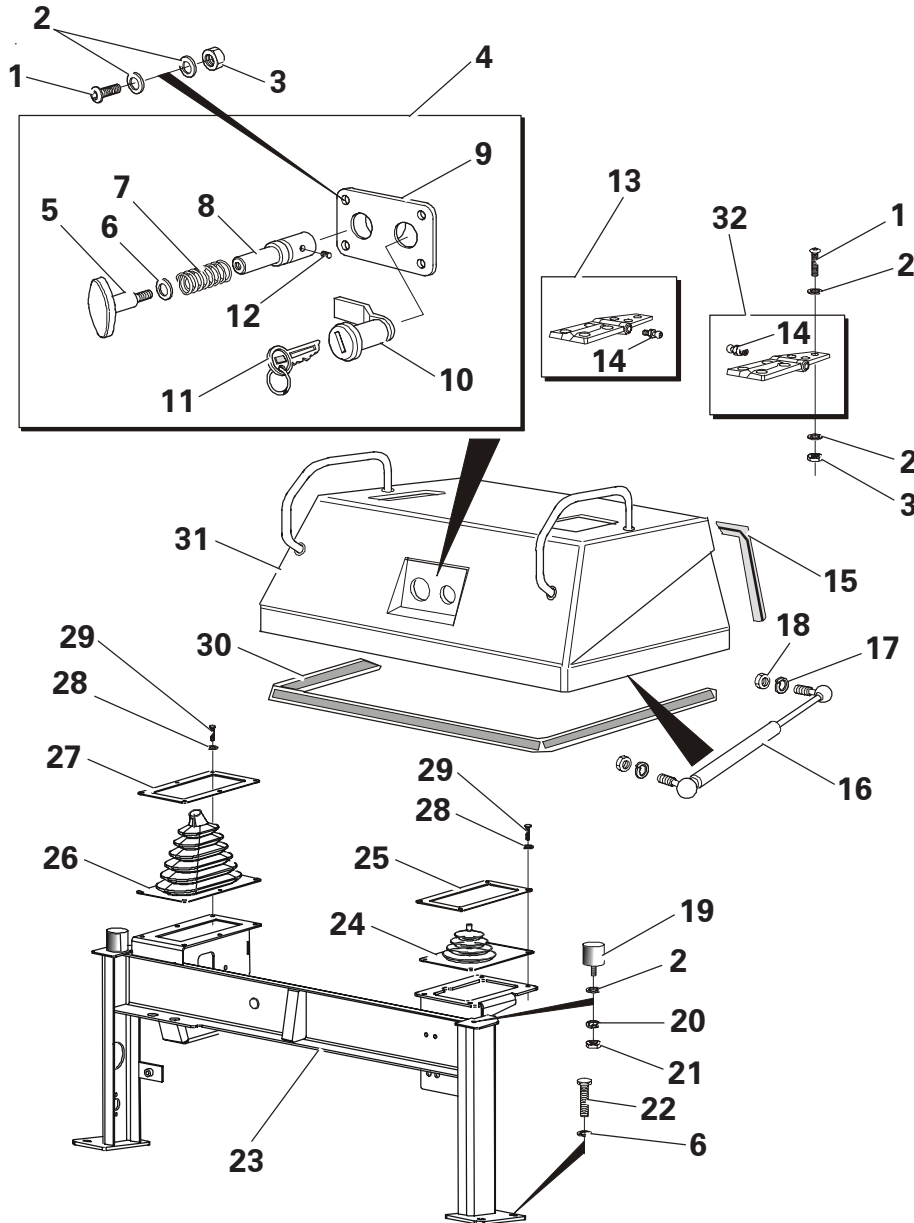
| Item | Part No. | Description | Qty | U/M |
|------|----------|--------------------|-----|-----|
| 1 | T100350 | MUDGUARD RH (REAR) | 1.0 | EA |
| 2 | T14077 | BOLT | 8.0 | EA |
| 3 | T14748 | PLAIN WASHER | 8.0 | EA |
| 4 | T20618 | SET SCREW | 7.0 | EA |
| 5 | T10734 | HEAVY DUTY WASHER | 4.0 | EA |
| 6 | T14748 | PLAIN WASHER | 1.0 | EA |
| 7 | T100349 | FLOORPLATE | 1.0 | EA |
| 8 | T16505 | SET BOLT | 2.0 | EA |
| 9 | T100342 | REAR CHASSIS | 1.0 | EA |
| 10 | T100531 | MUDGUARD LH (REAR) | 1.0 | EA |
| 11 | T13064 | LOCKING NUT | 4.0 | EA |
| 12 | T15819 | PLAIN WASHER | 8.0 | EA |
| 13 | T100147 | STEP | 2.0 | EA |

SEAT ASSEMBLY



| Item | Part No. | Description | Qty | U/M |
|------|----------|--------------------------|-----|-----|
| 1 | T19367 | SEAT ASSEMBLY | 1.0 | EA |
| 2 | T51918 | UPHOLSTERED BACK REST | 1.0 | EA |
| 3 | T51916 | UPHOLSTERED SEAT PAN | 1.0 | EA |
| 4 | T51919 | PLATE | 1.0 | EA |
| 5 | T51920 | SCREW SET | 3.0 | EA |
| 6 | T51928 | FRAME KIT | 1.0 | EA |
| 7 | T51936 | BLANKING COVERS | 1.0 | EA |
| 8 | T51927 | SCREW & WASHER SET | 1.0 | EA |
| 9 | T51934 | ADJUSTMENT BRACKETS | 1.0 | EA |
| 10 | T51935 | HANDLE | 1.0 | EA |
| 11 | T51933 | LEVER | 1.0 | EA |
| 12 | T51932 | SPRING | 1.0 | EA |
| 13 | T51921 | LEVER | 1.0 | EA |
| 14 | T51931 | LEVER | 1.0 | EA |
| 15 | T51929 | SLIDE RAIL KIT | 1.0 | EA |
| 16 | T51930 | SLIDE RAIL | 1.0 | EA |
| 17 | T51922 | KIT | 1.0 | EA |
| 18 | T12971 | BUTTON HEAD SOCKET SCREW | 2.0 | EA |
| 19 | T12973 | PLAIN WASHER | 4.0 | EA |
| 20 | T12972 | SPRING WASHER | 2.0 | EA |
| 21 | T13457 | NYLOC NUT | 2.0 | EA |
| 22 | T12832 | DOME HEAD SOCKET SCREW | 2.0 | EA |

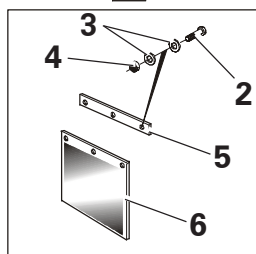
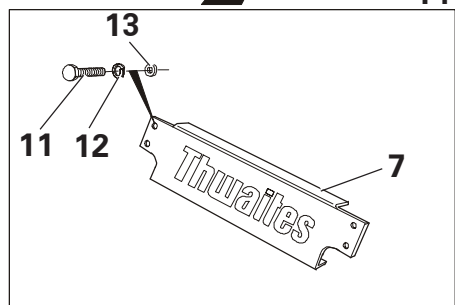
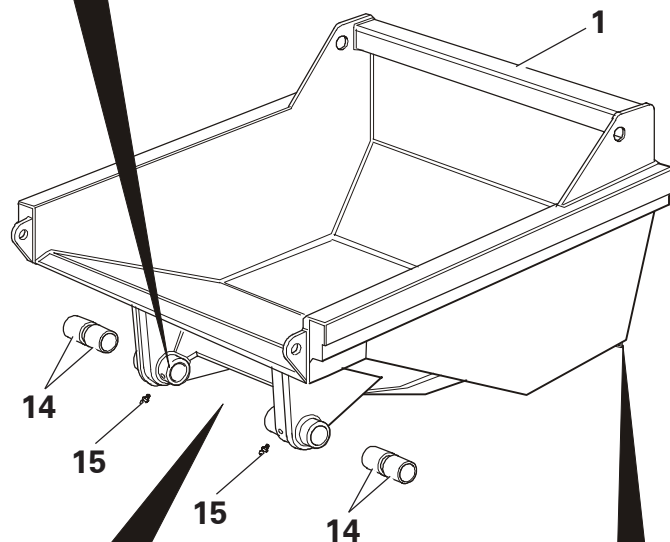
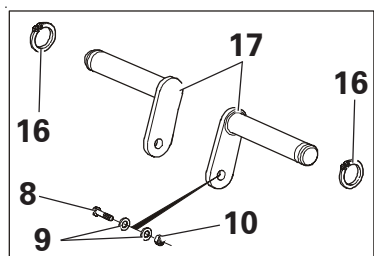
ENGINE COVER ASSEMBLY



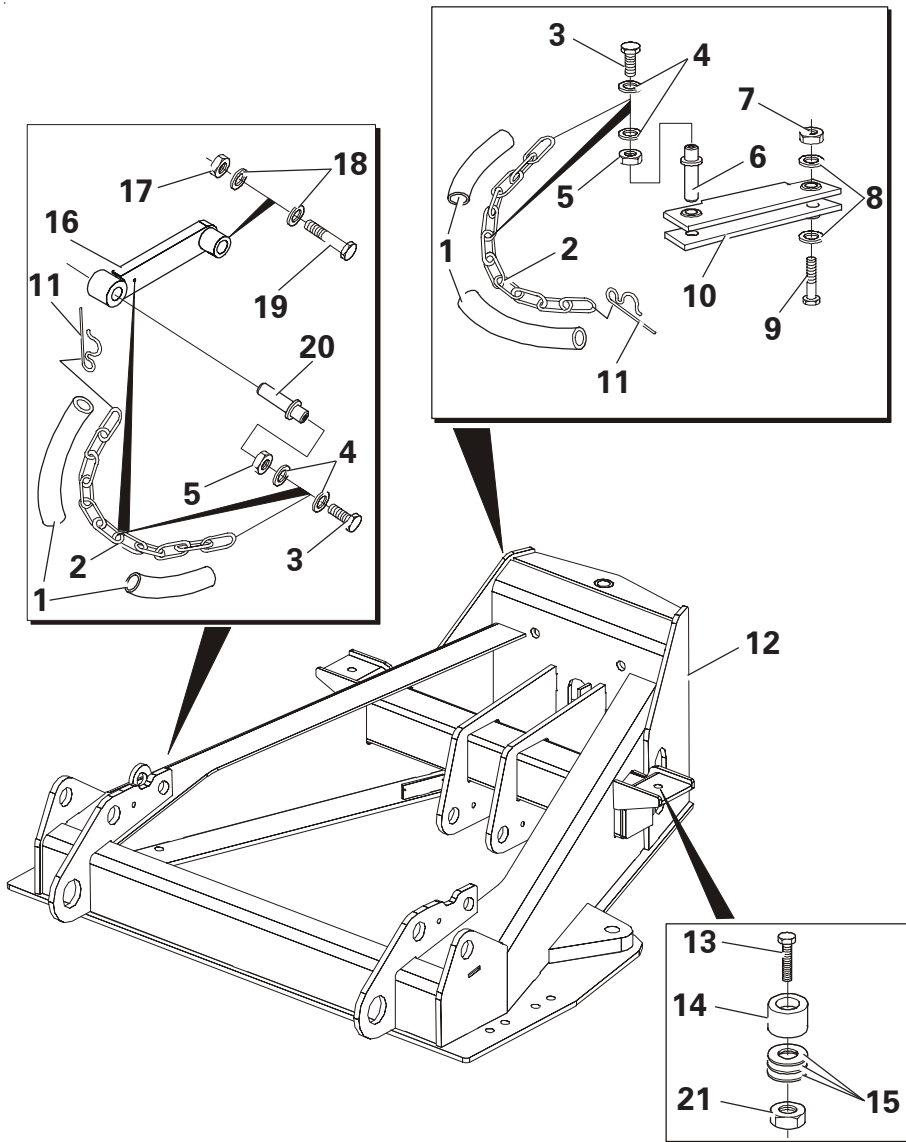
| Item | Part No. | Description | Qty | U/M |
|------|----------|-------------------------------|------|-----|
| 1 | T12971 | BUTTON HEAD SCREW | 18.0 | EA |
| 2 | T12973 | PLAIN WASHER | 38.0 | EA |
| 3 | T13457 | NYLOC NUT | 16.0 | EA |
| 4 | T100211 | LOCK ASSY | 1.0 | EA |
| 5 | T100216 | RENCOL HANDLE | 1.0 | EA |
| 6 | T10734 | H/DUTY WASHER | 5.0 | EA |
| 7 | T100287 | SPRING | 1.0 | EA |
| 8 | T100266 | LOCK PLUNGER | 1.0 | EA |
| 9 | T100286 | WELDED LOCK ASSY | 1.0 | EA |
| 10 | T100265 | COMPARTMENT LOCK | 1.0 | EA |
| 11 | T50479 | SWITCH KEY | 1.0 | EA |
| 12 | T100477 | GRUB SCREW | 1.0 | EA |
| 13* | T101780 | HINGE RH (WITH GREASE NIPPLE) | 1.0 | EA |
| 14 | T16586 | GREASE NIPPLE - STRAIGHT | 2.0 | EA |
| 15 | T100533 | SEAL | 1.0 | EA |
| 16 | T100610 | GAS STRUT | 2.0 | EA |
| 17 | T12972 | SPRING WASHER | 2.0 | EA |
| 18 | T9775 | NUT | 2.0 | EA |
| 19 | T100243 | RUBBER BUFFER | 2.0 | EA |
| 20 | T12972 | SPRING WASHER | 2.0 | EA |
| 21 | T9775 | NUT | 2.0 | EA |
| 22 | T16500 | BOLT | 4.0 | EA |
| 23 | T100955 | CONTROL MGT BRACE ASSY | 1.0 | EA |
| 24 | T100289 | TIPPING LEVER GAITER | 1.0 | EA |
| 25 | T100569 | TIPPING GAITER RETAINING | 1.0 | EA |
| 26 | T100911 | HANDBRAKE LEVER GAITER | 1.0 | EA |
| 27 | T100570 | GAITER RETAINING PLATE | 1.0 | EA |
| 28 | T13911 | FLAT WASHER | 10.0 | EA |
| 29 | T16492 | DOME HEAD SCREW | 10.0 | EA |
| 30 | T100532 | SEAL | 1.0 | EA |
| 31 | T100360 | ENGINE COVER ASSY | 1.0 | EA |
| 32* | T101779 | HINGE LH (WITH GREASE NIPPLE) | 1.0 | EA |

SKIP ASSEMBLY

| Item | Part No. | Description | Qty | U/M |
|------|----------|------------------|------|-----|
| 1 | T100406 | SKIP | 1.0 | EA |
| 2 | T100700 | SCREW | 6.0 | EA |
| 3 | T15830 | WASHER | 12.0 | EA |
| 4 | T16481 | NYLOC NUT | 6.0 | EA |
| 5 | T100304 | MUDFLAP RETAINER | 2.0 | EA |
| 6 | T100027 | MUDFLAP RUBBER | 2.0 | EA |
| 7 | T100555 | NAMEPLATE | 1.0 | EA |
| 8 | T16505 | SET BOLT | 2.0 | EA |
| 9 | T15819 | PLAIN WASHER | 4.0 | EA |
| 10 | T13064 | NUT | 2.0 | EA |
| 11 | T20618 | SET SCREW | 4.0 | EA |
| 12 | T13362 | SPRING WASHER | 4.0 | EA |
| 13 | T10734 | H/DUTY WASHER | 4.0 | EA |
| 14 | T100029 | BUSH | 4.0 | EA |
| 15 | T16587 | GREASE NIPPLE | 2.0 | EA |
| 16 | T100099 | CIRCLIP | 2.0 | EA |
| 17 | T100086 | SKIP PIVOT PIN | 2.0 | EA |

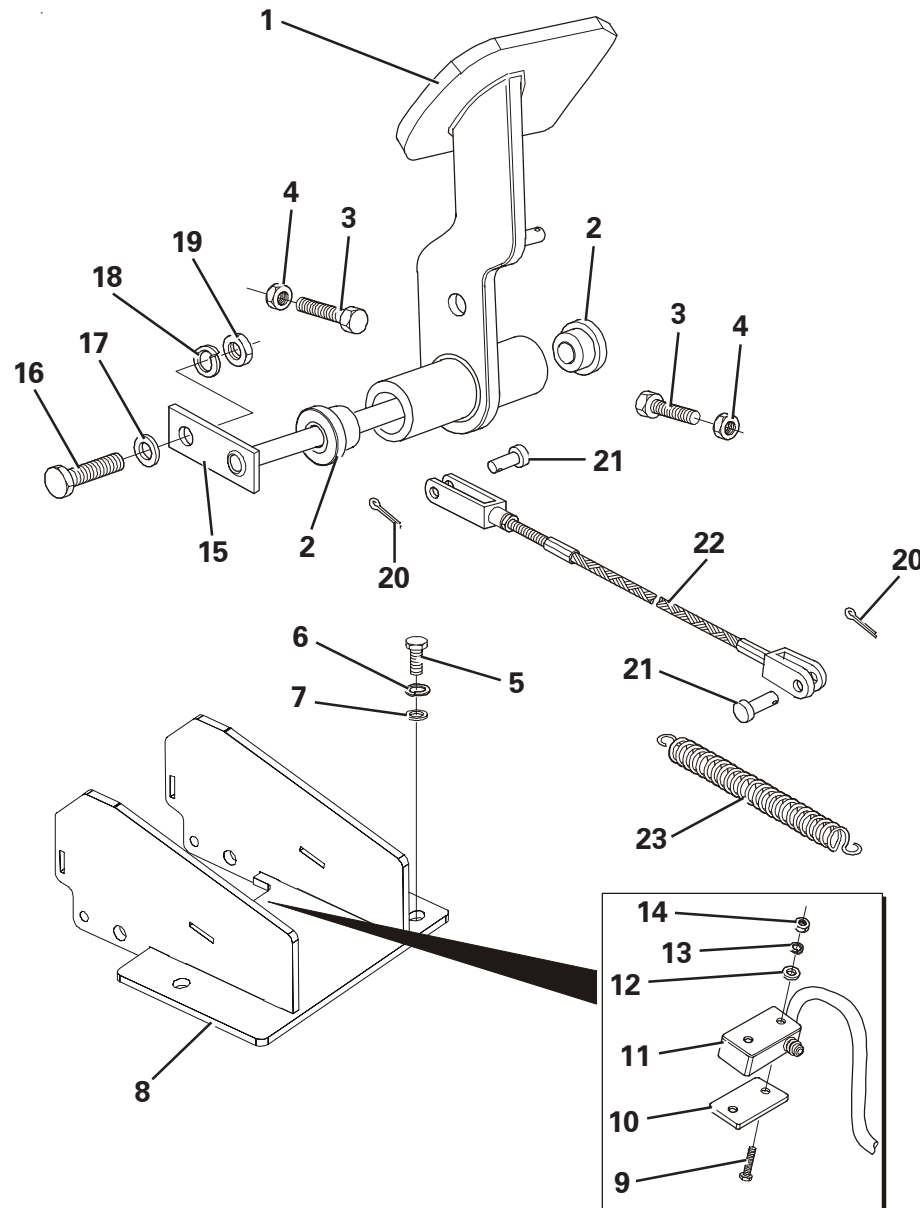


FRONT CHASSIS ASSEMBLY



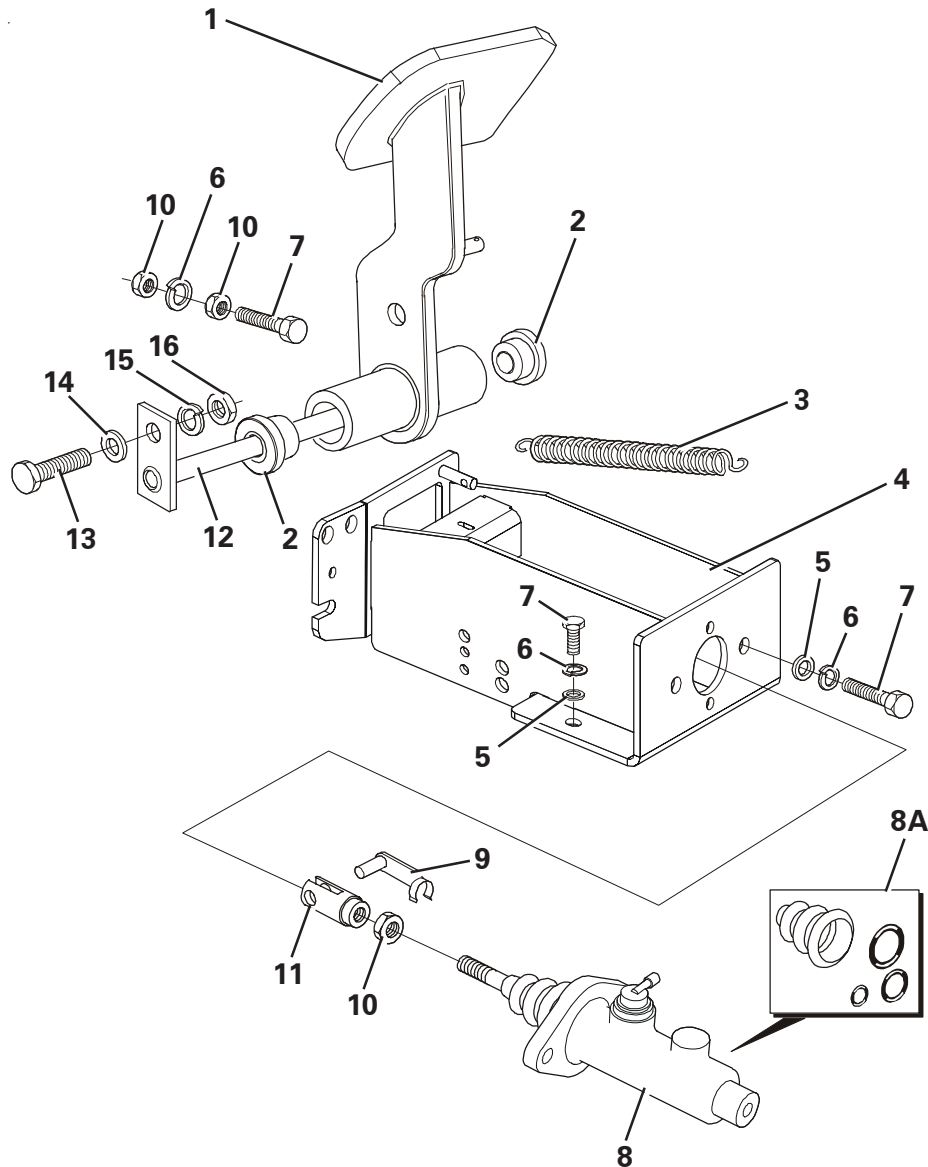
| Item | Part No. | Description | Qty | U/M |
|------|----------|-----------------------|-----|-----|
| 1 | T19465 | CHAIN SLEEVE | 2.0 | EA |
| 2 | T18186 | RETAINING CHAIN | 1.0 | EA |
| 3 | T16476 | SET BOLT | 2.0 | EA |
| 4 | T15830 | FLAT WASHER | 4.0 | EA |
| 5 | T10431 | NUT | 2.0 | EA |
| 6 | T100103 | CHASSIS LOCK PIN ASSY | 1.0 | EA |
| 7 | T13739 | NUT | 1.0 | EA |
| 8 | T17306 | PLAIN WASHER | 2.0 | EA |
| 9 | T100310 | BOLT | 1.0 | EA |
| 10 | T100102 | CHASSIS LOCK BAR ASSY | 1.0 | EA |
| 11 | T10012 | LINCH PIN | 2.0 | EA |
| 12 | T100379 | FRONT CHASSIS | 1.0 | EA |
| 13 | T100594 | BOLT | 2.0 | EA |
| 14 | T100581 | SKIP PAD | 2.0 | EA |
| 15 | T100578 | SKIP PAD SPACER 3mm | A/R | EA |
| | T100303 | SKIP PAD SPACER 5mm | A/R | EA |
| | T100386 | SKIP PAD SPACER 10mm | A/R | EA |
| 16 | T100536 | SKIP PROP | 1.0 | EA |
| 17 | T20320 | PHILIDAS NUT | 1.0 | EA |
| 18 | T20321 | WASHER | 2.0 | EA |
| 19 | T100504 | BOLT | 1.0 | EA |
| 20 | T100461 | SKIP PROP PIN | 1.0 | EA |
| 21 | T14910 | NUT | 2.0 | EA |

CLUTCH PEDAL ASSEMBLY



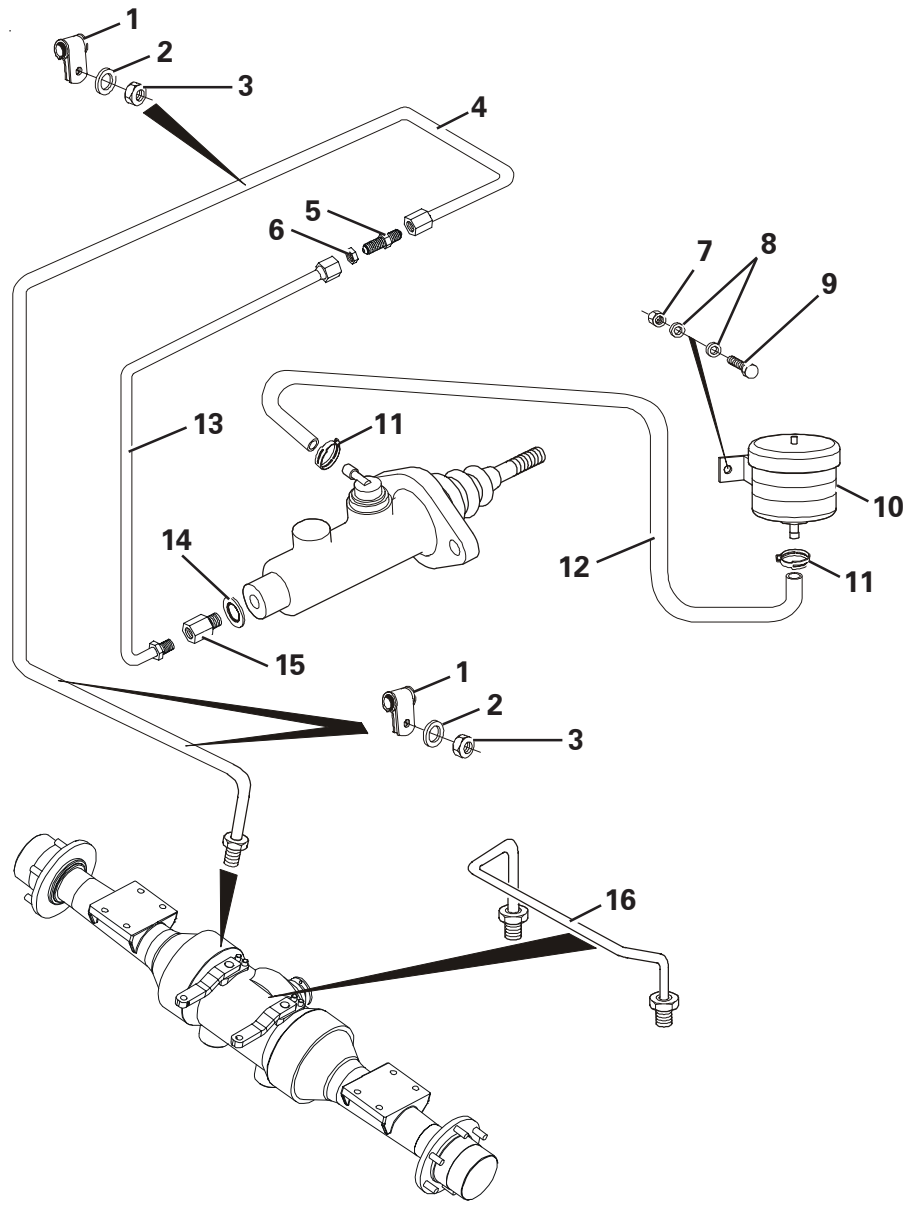
| Item | Part No. | Description | Qty | U/M |
|------|----------|----------------------------|-----|-----|
| 1 | T100093 | PEDAL | 1.0 | EA |
| 2 | T100110 | BUSH | 2.0 | EA |
| 3 | T12694 | SET SCREW | 2.0 | EA |
| 4 | T9775 | NUT | 2.0 | EA |
| 5 | T20618 | SET SCREW | 2.0 | EA |
| 6 | T13362 | SPRING WASHER | 2.0 | EA |
| 7 | T15819 | PLAIN WASHER | 2.0 | EA |
| 8 | T100672 | CLUTCH PEDAL BRKT | 1.0 | EA |
| 9 | T13321 | SET SCREW | 2.0 | EA |
| 10 | T13289 | MICRO SWITCH BACKING PLATE | 1.0 | EA |
| 11 | T100223 | MICRO SWITCH | 1.0 | EA |
| 12 | T11440 | WASHER | 2.0 | EA |
| 13 | T11439 | SPRING WASHER | 2.0 | EA |
| 14 | T11447 | NUT | 2.0 | EA |
| 15 | T100096 | PEDAL SHAFT | 1.0 | EA |
| 16 | T16477 | BOLT | 1.0 | EA |
| 17 | T13911 | FLAT WASHER | 1.0 | EA |
| 18 | T14837 | SPRING WASHER | 1.0 | EA |
| 19 | T16481 | NYLOC NUT | 1.0 | EA |
| 20 | T6702 | SPLIT PIN | 2.0 | EA |
| 21 | T6951 | CLEVIS PIN | 2.0 | EA |
| 22 | T100682 | CLUTCH CABLE | 1.0 | EA |
| 23 | T7026 | SPRING | 1.0 | EA |

BRAKE PEDAL ASSEMBLY



| Item | Part No. | Description | Qty | U/M |
|------|----------|--------------------------|-----|-----|
| 1 | T100093 | PEDAL | 1.0 | EA |
| 2 | T100110 | BUSH | 2.0 | EA |
| 3 | T100318 | BRAKE SPRING | 1.0 | EA |
| 4 | T100351 | MASTER CYLINDER MTG BRKT | 1.0 | EA |
| 5 | T15819 | PLAIN WASHER | 4.0 | EA |
| 6 | T13362 | SPRING WASHER | 5.0 | EA |
| 7 | T20618 | SET SCREW | 5.0 | EA |
| 8 | T100399 | MASTER CYLINDER (SINGLE) | 1.0 | EA |
| 8A | T52799 | SEAL KIT | 1.0 | EA |
| 9 | T100084 | SPRING CLEVIS PIN | 1.0 | EA |
| 10 | T12509 | NUT | 3.0 | EA |
| 11 | T100083 | FORK END | 1.0 | EA |
| 12 | T100096 | PEDAL SHAFT | 1.0 | EA |
| 13 | T16477 | BOLT | 1.0 | EA |
| 14 | T13911 | FLAT WASHER | 1.0 | EA |
| 15 | T14837 | SPRING WASHER | 1.0 | EA |
| 16 | T10431 | NUT | 1.0 | EA |

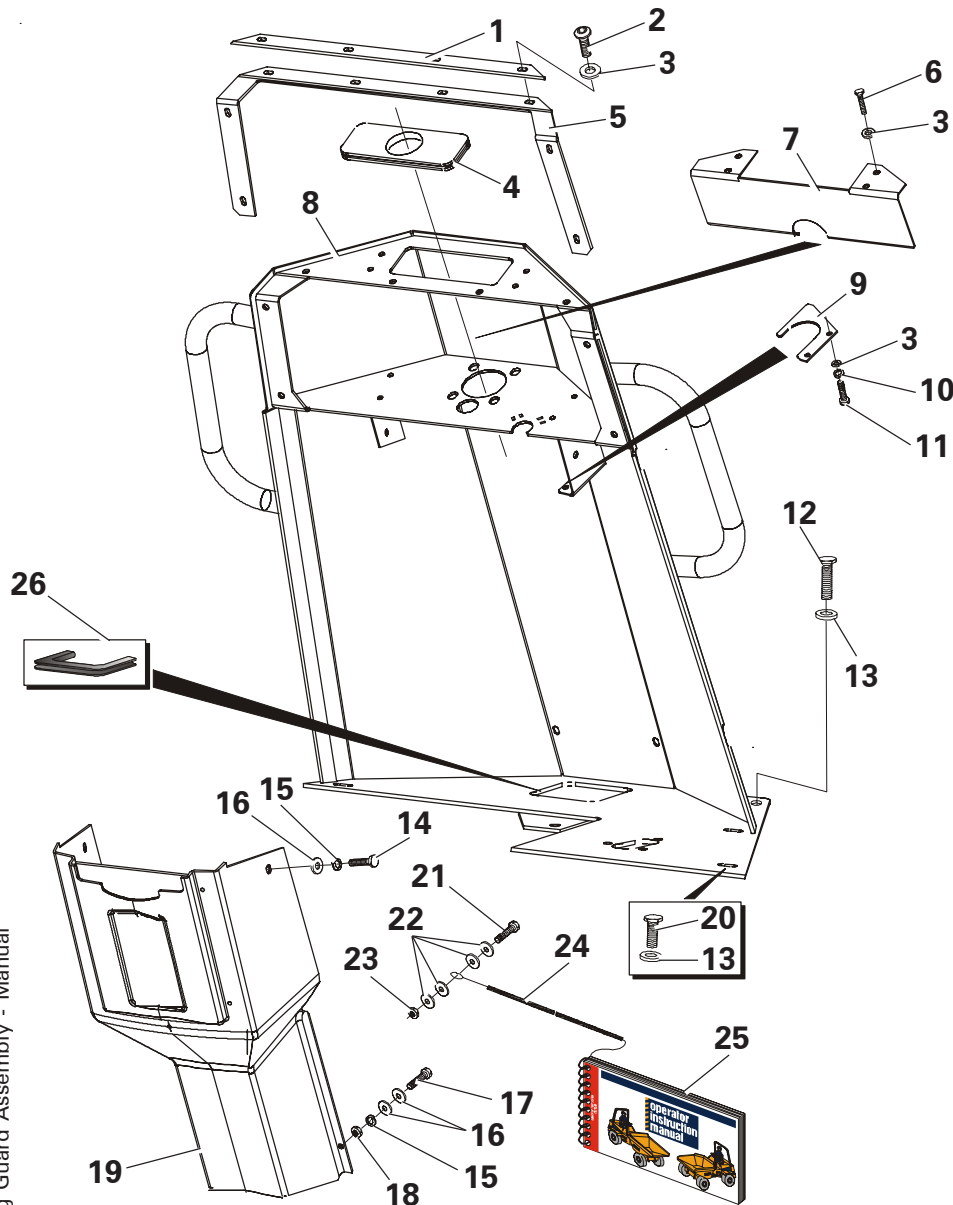
BRAKE CIRCUIT - MANUAL



| Item | Part No. | Description | Qty | U/M |
|------|----------|------------------|-----|-----|
| 1 | T11452 | PIPE CLIP | 3.0 | EA |
| 2 | T16612 | PLAIN WASHER | 3.0 | EA |
| 3 | T16613 | NYLOC NUT | 3.0 | EA |
| 4 | T100779 | BRAKE PIPE | 1.0 | EA |
| 5 | T100697 | BRAKE B/H UNION | 1.0 | EA |
| 6 | T8942 | LOCKNUT | 3.0 | EA |
| 7 | T16481 | NYLOC NUT | 2.0 | EA |
| 8 | T13911 | FLAT WASHER | 4.0 | EA |
| 9 | T10917 | SET BOLT | 2.0 | EA |
| 10 | T100402 | RESERVOIR | 1.0 | EA |
| 11 | T100691 | HOSE CLIP | 2.0 | EA |
| 12 | T100747 | BRAKE HOSE | 1.0 | EA |
| 13 | T100702 | BRAKE PIPE | 1.0 | EA |
| 14 | T10940 | HYDRAULIC WASHER | 1.0 | EA |
| 15 | T100701 | ADAPTOR | 1.0 | EA |
| 16 | T100704 | BRAKE PIPE | 1.0 | EA |

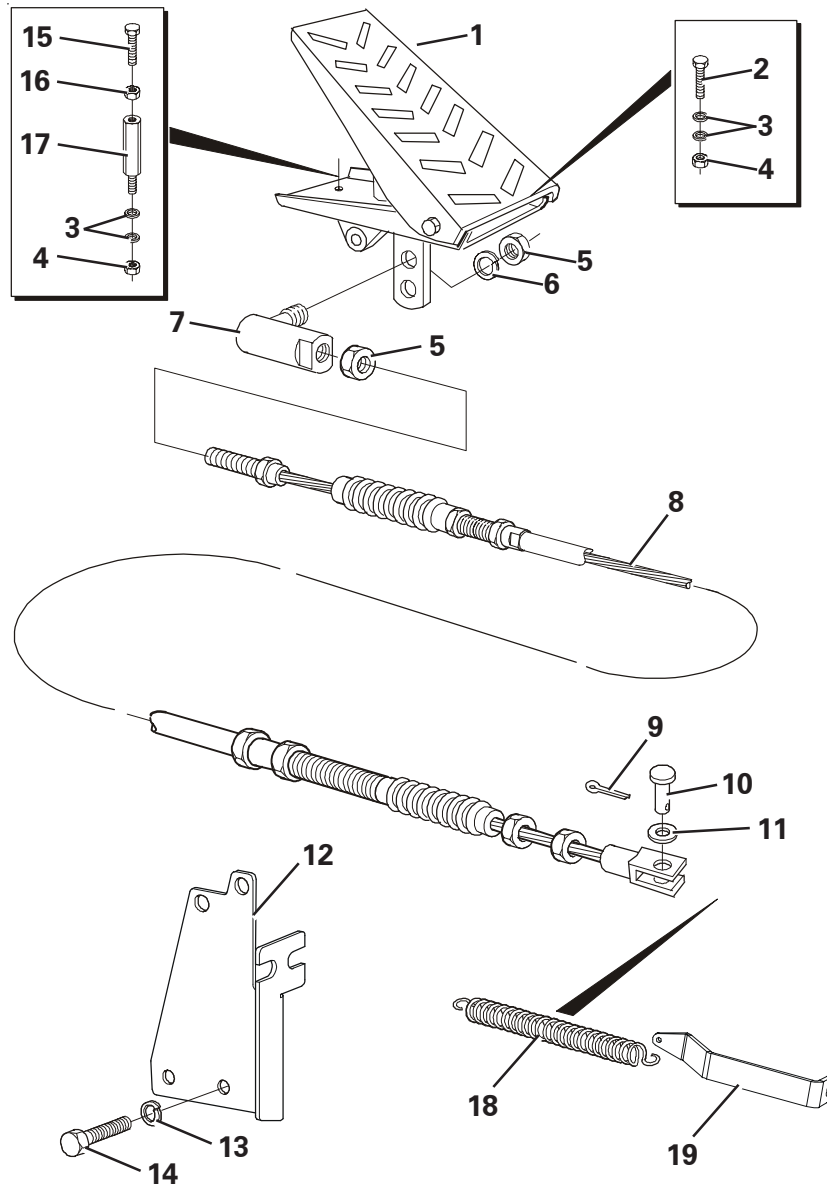
LEG GUARD ASSEMBLY

| Item | Part No. | Description | Qty | U/M |
|------|----------|-------------------------|------|-----|
| 1 | T100506 | CLAMPING STRIP | 1.0 | EA |
| 2 | T100315 | SCREW | 4.0 | EA |
| 3 | T13911 | FLAT WASHER | 10.0 | EA |
| 4 | T100300 | STEERING COLUMN GROMMET | 1.0 | EA |
| 5 | T100320 | SEALING GASKET | 1.0 | EA |
| 6 | T16492 | DOME HEAD SCREW | 4.0 | EA |
| 7 | T100540 | SPLASH GUARD | 1.0 | EA |
| 8 | T101015 | LEG GUARD | 1.0 | EA |
| 9 | T100667 | HARNESS MTG | 1.0 | EA |
| 10 | T14837 | SPRING WASHER | 2.0 | EA |
| 11 | T10917 | SET BOLT PLATED | 2.0 | EA |
| 12 | T16505 | BOLT | 2.0 | EA |
| 13 | T10734 | H/DUTY WASHER PLATED | 5.0 | EA |
| 14 | T10917 | SET BOLT PLATED | 2.0 | EA |
| 15 | T14837 | SPRING WASHER | 4.0 | EA |
| 16 | T15830 | FLAT WASHER | 6.0 | EA |
| 17 | T16477 | HEX HEAD BOLT | 2.0 | EA |
| 18 | T10431 | NUT | 2.0 | EA |
| 19 | T100159 | INNER LEG GUARD | 1.0 | EA |
| 20 | T20618 | SET SCREW | 3.0 | EA |
| 21 | T12694 | SET SCREW | 1.0 | EA |
| 22 | T9345 | WASHER | 4.0 | EA |
| 23 | T13457 | NYLOC NUT | 1.0 | EA |
| 24 | T100699 | RETAINING CABLE | 1.0 | EA |
| 25 | T0407 | OPERATOR MANUAL | 1.0 | EA |
| 26 | T52795 | E J TRIM | 1.0 | EA |



Leg Guard Assembly - Manual

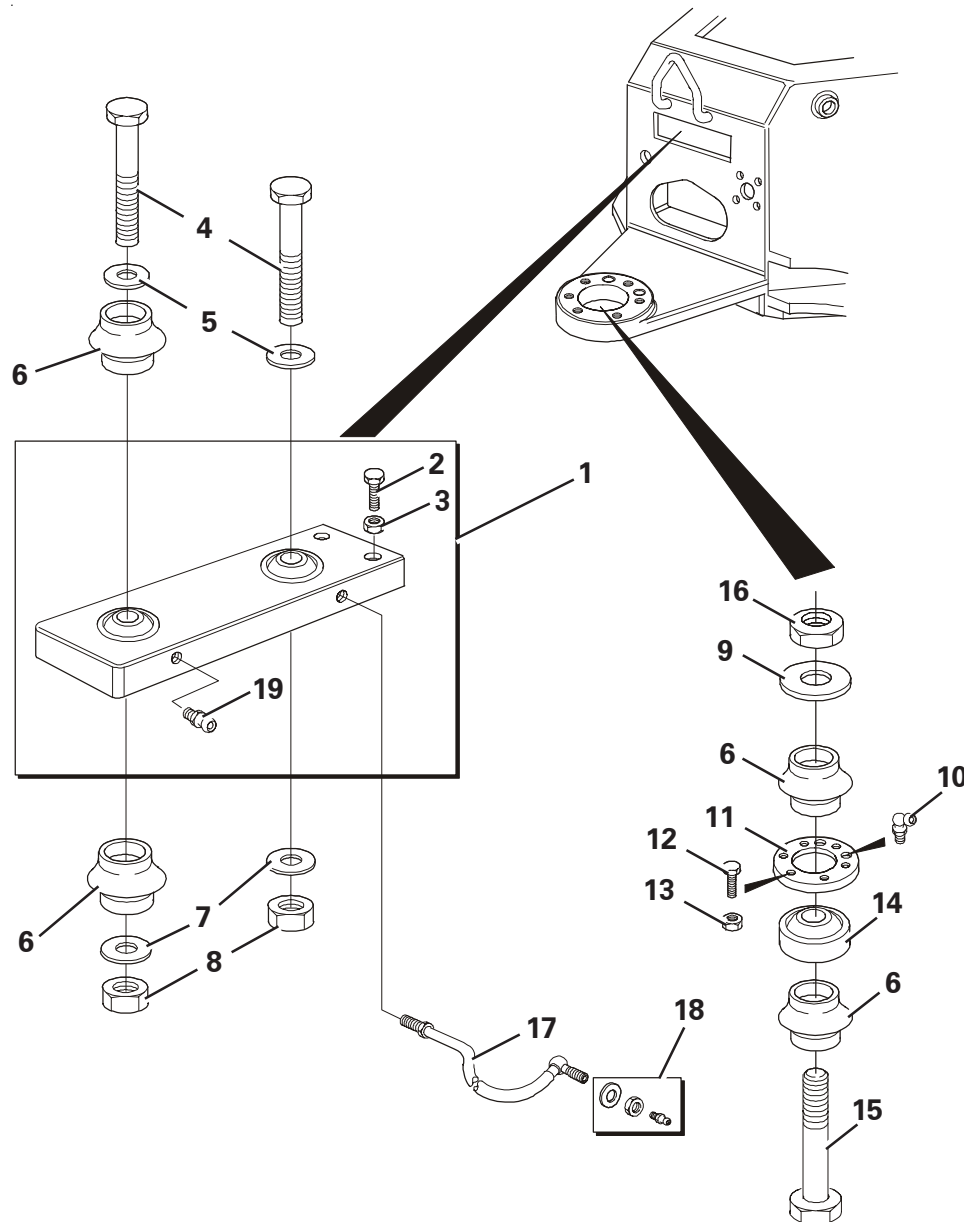
THROTTLE ASSEMBLY



| Item | Part No. | Description | Qty | U/M |
|------|----------|---------------------------|-----|-----|
| 1 | T18931 | ACCELERATOR PEDAL | 1.0 | EA |
| 2 | T16477 | HEX HEAD BOLT | 2.0 | EA |
| 3 | T13911 | FLAT WASHER | 6.0 | EA |
| 4 | T16481 | NYLOC NUT | 3.0 | EA |
| 5 | T10431 | NUT | 3.0 | EA |
| 6 | T14837 | SPRING WASHER | 1.0 | EA |
| 7 | T16192 | AMEL END | 1.0 | EA |
| 8 | T100629 | THROTTLE CABLE | 1.0 | EA |
| 9 | T6744 | SPLIT PIN | 1.0 | EA |
| 10 | T6970 | ANCHOR PIN | 1.0 | EA |
| 11 | T16612 | PLAIN WASHER | 1.0 | EA |
| 12 | T100678 | THROTTLE REACTION BRACKET | 1.0 | EA |
| 13 | T12972 | SPRING WASHER | 2.0 | EA |
| 14 | T7465 | SET SCREW | 2.0 | EA |
| 15 | T14277 | BOLT | 1.0 | EA |
| 16 | T9775 | NUT | 1.0 | EA |
| 17 | T101032 | THROTTLE STOP | 1.0 | EA |
| 18 | T18452 | SPRING | 1.0 | EA |
| 19 | T101047 | THROTTLE SPRING MTG | 1.0 | EA |

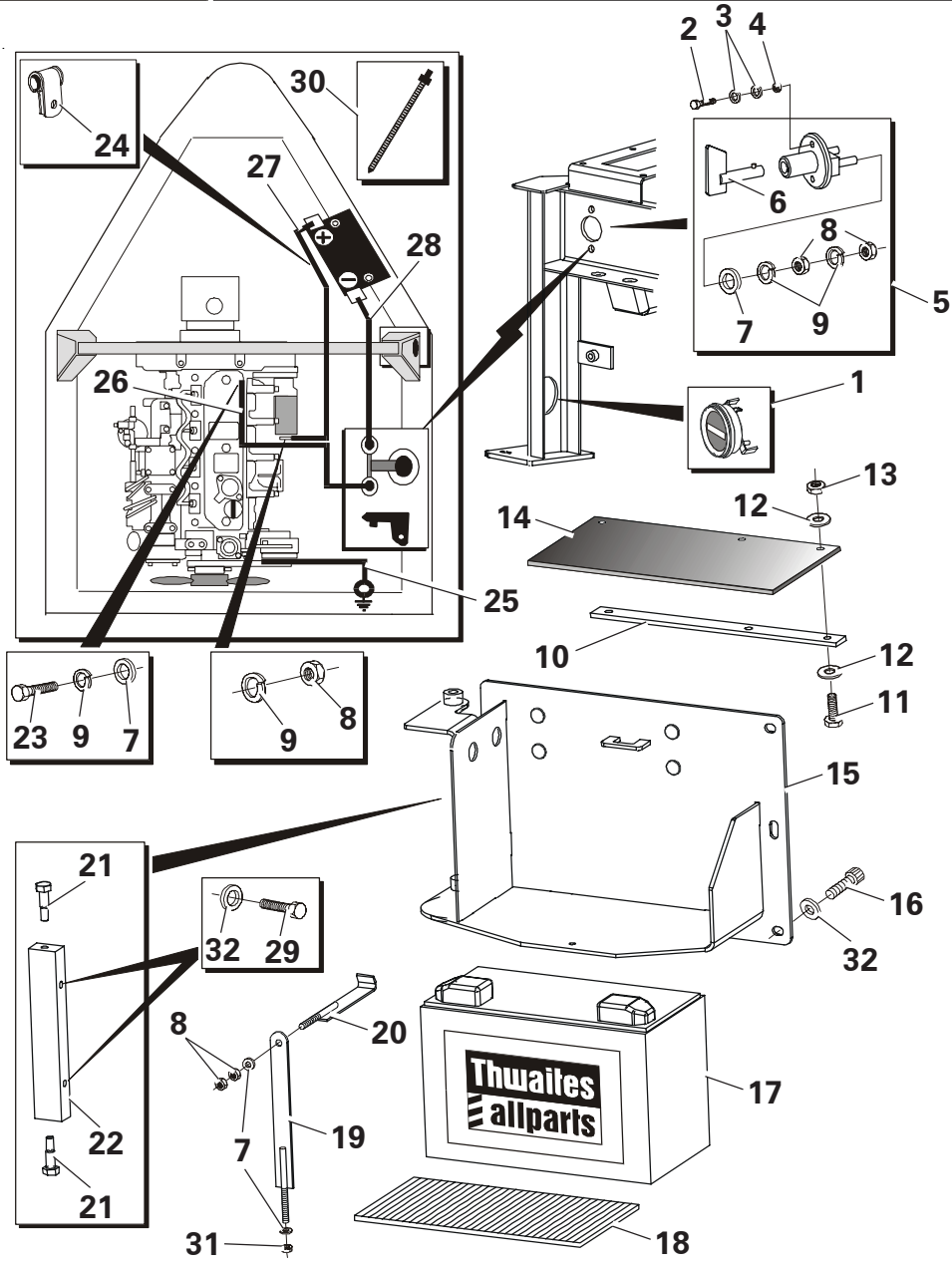
KINGLINK ASSEMBLY

| Item | Part No. | Description | Qty | U/M |
|------|----------|------------------------|-----|-----|
| 1 | T52796 | KINGLINK ASSEMBLY | 1.0 | EA |
| 2 | T16505 | SET BOLT | 2.0 | EA |
| 3 | T12509 | NUT | 2.0 | EA |
| 4 | T100593 | TOP PIVOT BOLT | 2.0 | EA |
| 5 | T6768 | WASHER | 2.0 | EA |
| 6 | T10160 | RUBBER DUST SEAL | 4.0 | EA |
| 7 | T11811 | WASHER | 2.0 | EA |
| 8 | T10143 | NUT | 2.0 | EA |
| 9 | T7695 | WASHER | 1.0 | EA |
| 10 | T16588 | GREASE NIPPLE | 1.0 | EA |
| 11 | T100527 | LOWER BEARING CAP | 1.0 | EA |
| 12* | T101725 | BOLT | 4.0 | EA |
| 13* | T101724 | NYLOC NUT | 4.0 | EA |
| 14 | T100268 | SPHERICAL BEARING | 1.0 | EA |
| 15 | T100489 | BOTTOM PIVOT PIN | 1.0 | EA |
| 16 | T10331 | LOCKNUT | 1.0 | EA |
| 17 | T100727 | GREASE PIPE | 1.0 | EA |
| 18 | T100390 | GREASE NIPPLE ASSEMBLY | 1.0 | EA |
| 19 | T16586 | GREASE NIPPLE | 1.0 | EA |



Kinglink Assembly - Phase 2

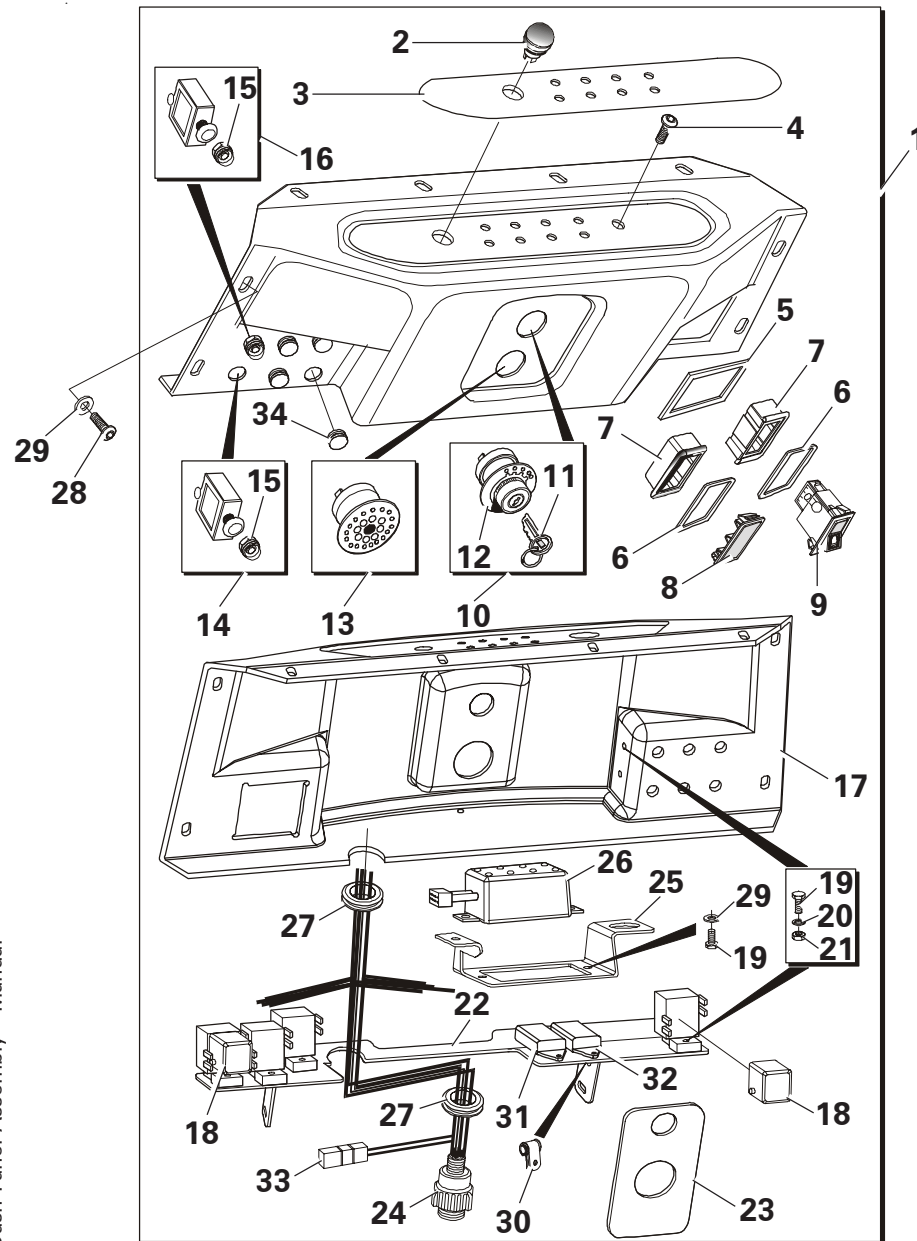
BATTERY BOX ASSEMBLY



| Item | Part No. | Description | Qty | U/M |
|------|----------|-------------------------|-----|-----|
| 1 | T16538 | HOURMETER | 1.0 | EA |
| 2 | T16611 | SCREW | 2.0 | EA |
| 3 | T16612 | PLAIN WASHER | 4.0 | EA |
| 4 | T16613 | NYLOC NUT | 2.0 | EA |
| 5 | T20846 | BATTERY ISOLATOR SWITCH | 1.0 | EA |
| 6 | T52600 | KEY | 1.0 | EA |
| 7 | T12973 | PLAIN WASHER | 5.0 | EA |
| 8 | T9775 | NUT | 7.0 | EA |
| 9 | T12972 | SPRING WASHER | 6.0 | EA |
| 10 | T100394 | BATTERY COVER RETAINER | 1.0 | EA |
| 11 | T16505 | SET BOLT | 3.0 | EA |
| 12 | T15819 | PLAIN WASHER | 6.0 | EA |
| 13 | T13064 | NUT | 3.0 | EA |
| 14 | T100393 | RUBBER BATTERY COVER | 1.0 | EA |
| 15 | T100376 | BATTERY BOX | 1.0 | EA |
| 16 | T16770 | CAP SCREW | 2.0 | EA |
| 17 | T100967 | BATTERY | 1.0 | EA |
| 18 | T16948 | NON-SLIP MAT | 1.0 | EA |
| 19 | T100758 | BATTERY STOP FRONT | 1.0 | EA |
| 20* | T100432 | BATTERY STRAP TOP | 1.0 | EA |
| 21 | T100577 | PIVOT PIN | 2.0 | EA |
| 22 | T100592 | HINGE BLOCK | 1.0 | EA |
| 23 | T11673 | SET BOLT | 1.0 | EA |
| 24 | T11514 | PIPE CLIP | 1.0 | EA |
| 25 | T100665 | EARTH LEAD | 1.0 | EA |
| 26 | T100664 | NEGATIVE CABLE | 1.0 | EA |
| 27 | T100632 | POSITIVE BATTERY CABLE | 1.0 | EA |
| 28 | T100633 | NEGATIVE BATTERY CABLE | 1.0 | EA |
| 29 | T20618 | SET SCREW | 2.0 | EA |
| 30 | T9164 | NYLON CLIPS | A/R | EA |
| 31 | T13457 | NYLOC NUT | 1.0 | EA |
| 32 | T10734 | H/DUTY WASHER | 4.0 | EA |

Battery Box Assembly - Manual

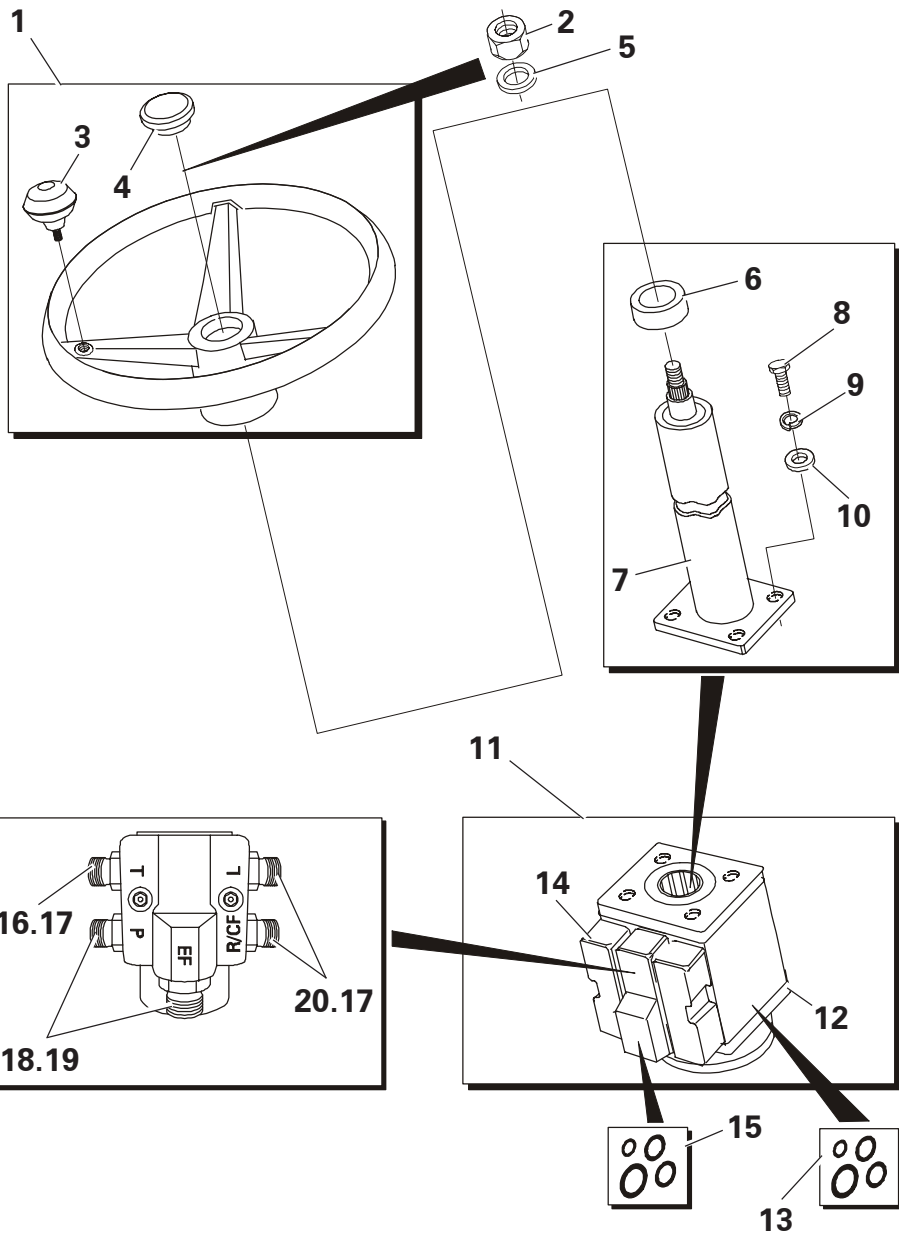
DASH PANEL ASSEMBLY



| Item | Part No. | Description | Qty | U/M |
|------|----------|------------------------|------|-----|
| 1 | T100498 | DASH PANEL ASSY | 1.0 | EA |
| 2 | T52302 | HORN PUSH | 1.0 | EA |
| 3 | T100635 | CONSOLE DECAL | 1.0 | EA |
| 4 | T52449 | C/SUNK BOLT | 1.0 | EA |
| 5 | T52448 | MOUNTING PANEL GASKET | 1.0 | EA |
| 6 | T52304 | SWITCH BLANK SEAL | 2.0 | EA |
| 7 | T52446 | SWITCH MOUNTING PANEL | 2.0 | EA |
| 8 | T52303 | SWITCH BLANK | 1.0 | EA |
| 9 | T52445 | BEACON SWITCH | 1.0 | EA |
| 10 | T52307 | IGNITION SWITCH | 1.0 | EA |
| 11 | T50479 | STARTER SWITCH KEY | 1.0 | EA |
| 12 | T52311 | INDEX PLATE | 1.0 | EA |
| 13 | T100902 | WARNING BUZZER | 1.0 | EA |
| 14 | T52305 | CIRCUIT BREAKER 12AMP | 1.0 | EA |
| 15 | T52306 | CIRCUIT BREAKER COVER | 2.0 | EA |
| 16 | T52468 | CIRCUIT BREAKER 18AMP | 1.0 | EA |
| 17 | T52408 | DASH PANEL | 1.0 | EA |
| 18 | T52457 | RELAY | 2.0 | EA |
| 19 | T16610 | CH. HEAD SCREW | 12.0 | EA |
| 20 | T16612 | PLAIN WASHER | 9.0 | EA |
| 21 | T16613 | NYLOC NUT | 10.0 | EA |
| 22 | T100487 | RELAY MOUNTING BRACKET | 1.0 | EA |
| 23 | T100445 | IGNITION BACKING PLATE | 1.0 | EA |
| 24 | T100921 | PANEL HARNESS | 1.0 | EA |
| 25 | T100446 | LED MODULE MTG BRACKET | 1.0 | EA |
| 26 | T100435 | LED MODULE | 1.0 | EA |
| 27 | T9538 | GROMMET | 2.0 | EA |
| 28 | T100315 | SCREW | 4.0 | EA |
| 29 | T13911 | FLAT WASHER | 6.0 | EA |
| 30 | T100989 | P`CLIP | 1.0 | EA |
| 31 | T52726 | STOP SOLENOID - TIMER | 1.0 | EA |
| 32 | T52725 | GLOW PLUG - TIMER | 1.0 | EA |
| 33 | T52724 | DIODE | 1.0 | EA |
| 34 | T52447 | BLANKING GROMMET | 4.0 | EA |

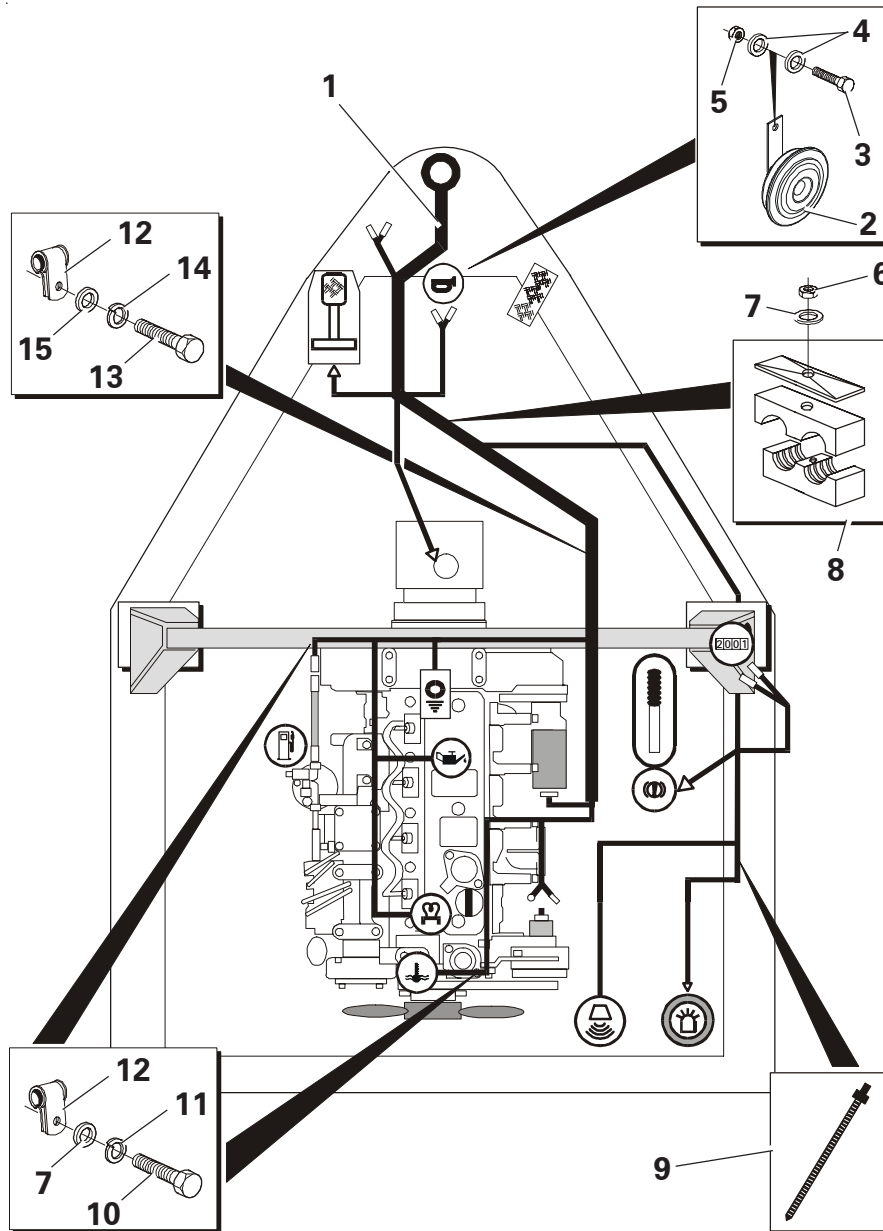
STEERING ASSEMBLY

| Item | Part No. | Description | Qty | U/M |
|------|----------|-------------------------|-----|-----|
| 1 | T100496 | STEERING WHEEL & CAP | 1.0 | EA |
| 2 | T100690 | NYLOC NUT | 1.0 | EA |
| 3 | T52520 | SPINNER KNOB | 1.0 | EA |
| 4 | T50541 | CENTRE CAP | 1.0 | EA |
| 5 | T6765 | WASHER | 1.0 | EA |
| 6 | T52517 | END CAP | 1.0 | EA |
| 7 | T100015 | STEERING COLUMN | 1.0 | EA |
| 8 | T7466 | SET SCREW | 4.0 | EA |
| 9 | T13362 | SPRING WASHER | 4.0 | EA |
| 10 | T15819 | PLAIN WASHER | 4.0 | EA |
| 11 | T18781 | STEERING/PRIORITY VALVE | 1.0 | EA |
| 12 | T18601 | STEERING VALVE | 1.0 | EA |
| 13 | T51661 | SEAL KIT | 1.0 | EA |
| 14 | T18602 | PRIORITY VALVE | 1.0 | EA |
| 15 | T51662 | SEAL KIT | 1.0 | EA |
| 16 | T11165 | ADAPTOR | 1.0 | EA |
| 17 | T5637 | BONDED SEAL | 3.0 | EA |
| 18 | T13936 | ADAPTOR | 2.0 | EA |
| 19 | T5596 | HYDRAULIC SEAL | 2.0 | EA |
| 20 | T13606 | ADAPTOR | 2.0 | EA |



Steering Assembly - Manual

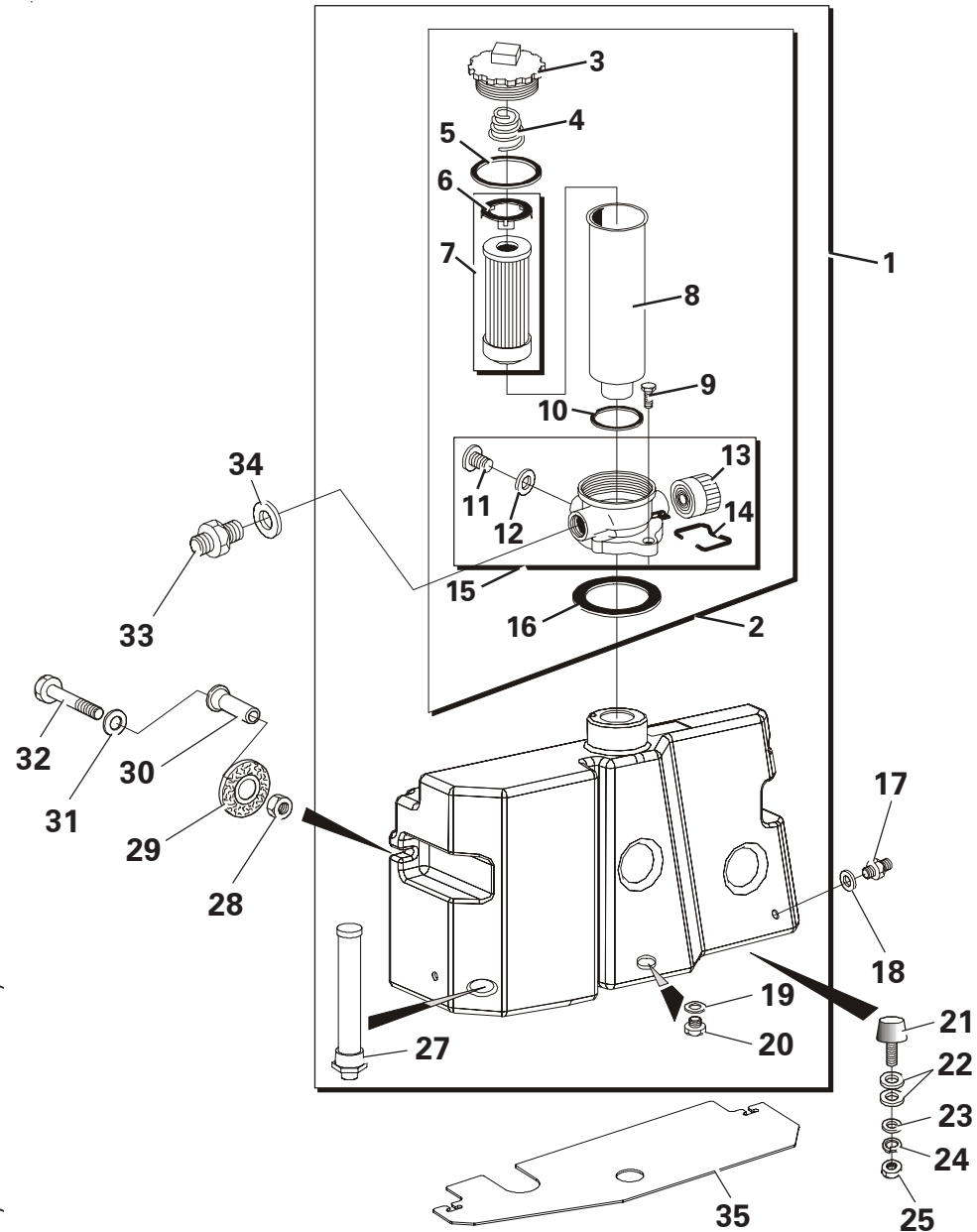
ENGINE HARNESS



| Item | Part No. | Description | Qty | U/M |
|------|----------|----------------|-----|-----|
| 1 | T100920 | ENGINE HARNESS | 1.0 | EA |
| 2 | T100017 | HORN | 1.0 | EA |
| 3 | T16477 | HEAD BOLT | 1.0 | EA |
| 4 | T13911 | FLAT WASHER | 2.0 | EA |
| 5 | T16481 | NYLOC NUT | 1.0 | EA |
| 6 | T13457 | NYLOC NUT | 1.0 | EA |
| 7 | T12973 | PLAIN WASHER | 3.0 | EA |
| 8 | T100807 | HOSE CLAMP | 1.0 | EA |
| 9 | T9164 | NYLON CLIPS | A/R | EA |
| 10 | T11673 | SET BOLT | 2.0 | EA |
| 11 | T12972 | SPRING WASHER | 2.0 | EA |
| 12 | T9914 | HOSE CLIP | 3.0 | EA |
| 13 | T7466 | SET SCREW | 1.0 | EA |
| 14 | T13362 | SPRING WASHER | 1.0 | EA |
| 15 | T10734 | H/DUTY WASHER | 1.0 | EA |

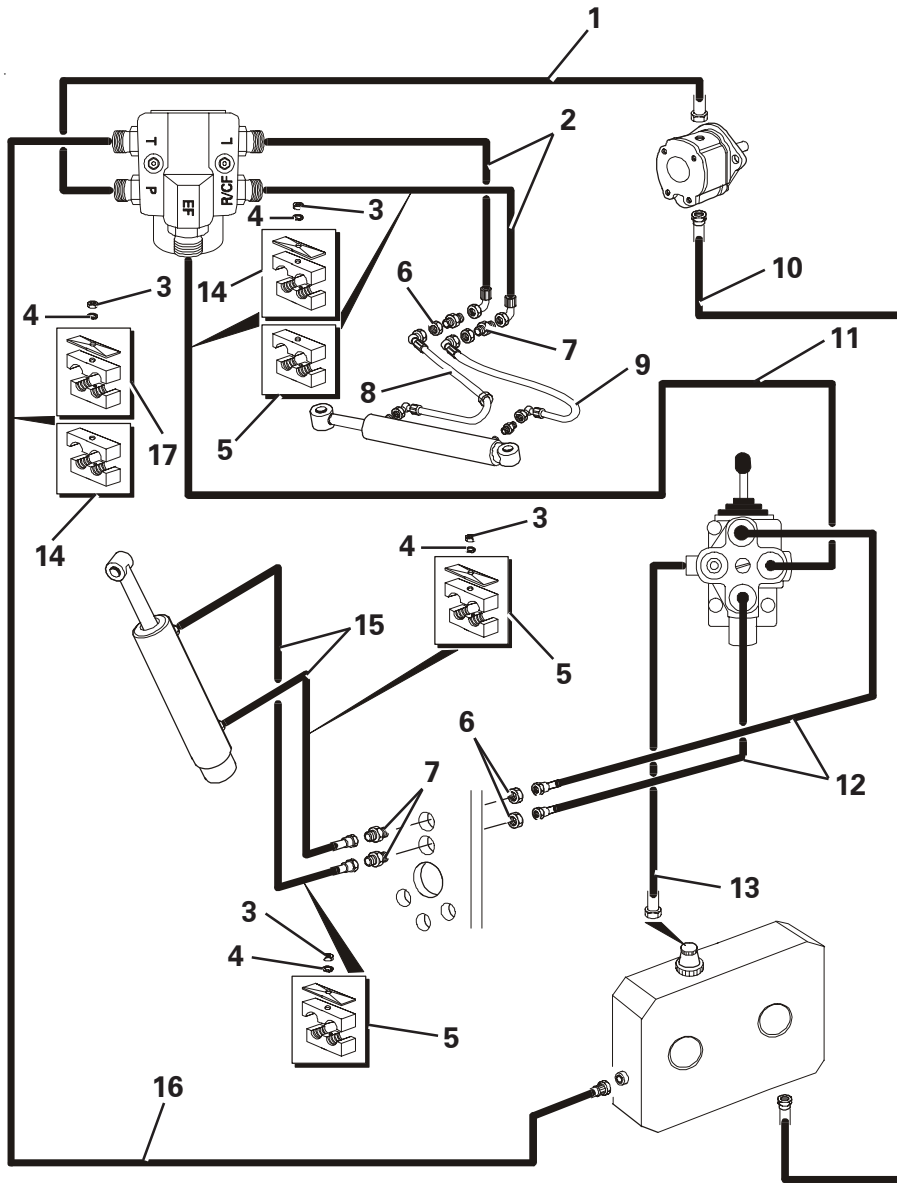
HYDRAULIC TANK ASSEMBLY

| Item | Part No. | Description | Qty | U/M |
|------|----------|----------------------|-----|-----|
| 18 | T5596 | HYDRAULIC SEAL | 1.0 | EA |
| 19 | T52588 | FIBRE WASHER | 1.0 | EA |
| 20 | T52282 | DRAIN PLUG | 1.0 | EA |
| 21 | T100214 | RUBBER BUFFER | 2.0 | EA |
| 22 | T8128 | WASHER | 4.0 | EA |
| 23 | T9345 | WASHER | 2.0 | EA |
| 24 | T12972 | SPRING WASHER | 2.0 | EA |
| 25 | T9775 | NUT | 2.0 | EA |
| 26* | DELETED | | | |
| 27* | T101240 | SUCTION ELEMENT | 1.0 | EA |
| 28 | T13064 | NUT | 2.0 | EA |
| 29 | T100323 | RUBBER BACKED WASHER | 2.0 | EA |
| 30 | T100372 | TANK SPACER | 2.0 | EA |
| 31 | T10734 | HEAVY DUTY WASHER | 2.0 | EA |
| 32 | T17963 | BOLT | 2.0 | EA |
| 33 | T8014 | ADAPTOR | 1.0 | EA |
| 34 | T5594 | HYD SEAL | 1.0 | EA |
| 35* | T101241 | HYDRAULIC TANK GUARD | 1.0 | EA |



HYDRAULIC CIRCUIT - CONTROLS

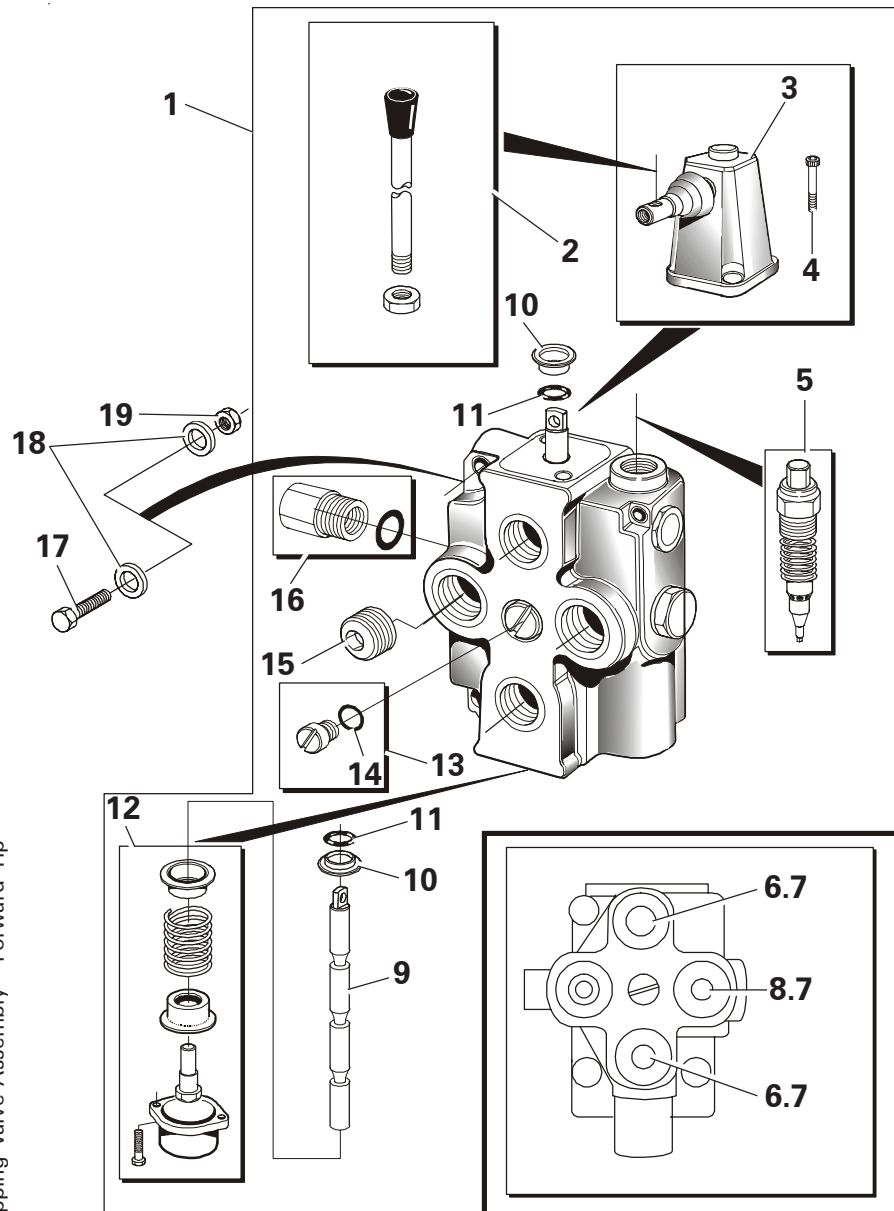
| Item | Part No. | Description | Qty | U/M |
|------|----------|--------------|-----|-----|
| 1 | T100705 | HOSE | 1.0 | EA |
| 2 | T100708 | HOSE | 2.0 | EA |
| 3 | T13457 | NYLOC NUT | 4.0 | EA |
| 4 | T12973 | PLAIN WASHER | 4.0 | EA |
| 5 | T100564 | PIPE CLAMP | 3.0 | EA |
| 6 | T52552 | LOCKNUT | 4.0 | EA |
| 7 | T100392 | ADAPTOR | 4.0 | EA |
| 8 | T100729 | HOSE | 1.0 | EA |
| 9 | T100728 | HOSE | 1.0 | EA |
| 10 | T100720 | HOSE | 1.0 | EA |
| 11 | T100707 | HOSE | 1.0 | EA |
| 12 | T100709 | HOSE | 2.0 | EA |
| 13 | T100767 | HOSE | 1.0 | EA |
| 14 | T19114 | PIPE CLAMP | 2.0 | EA |
| 15 | T100769 | HOSE | 2.0 | EA |
| 16 | T100706 | HOSE | 1.0 | EA |
| 17 | T100807 | HOSE CLAMP | 1.0 | EA |



Hydraulic Circuit - Manual Forward Tip

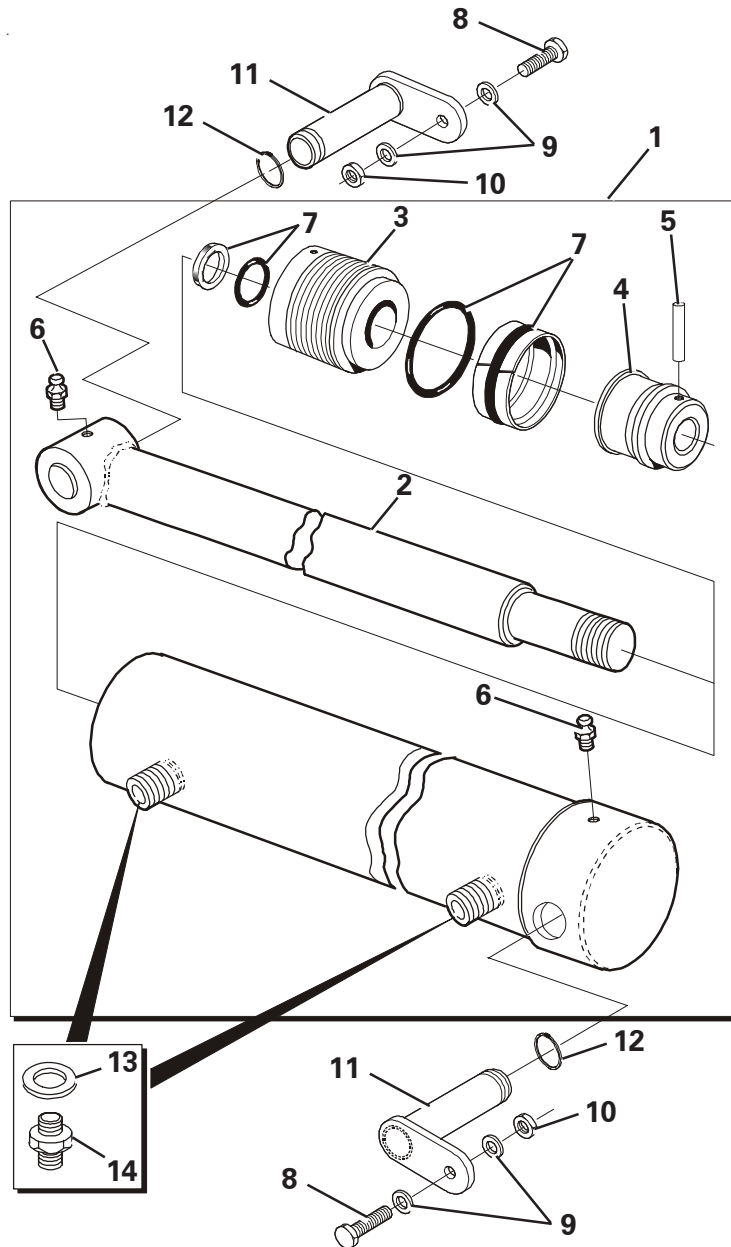
TIPPING VALVE ASSEMBLY

| Item | Part No. | Description | Qty | U/M |
|------|----------|----------------------|-----|-----|
| 1 | T100013 | TIPPING VALVE ASSY | 1.0 | EA |
| 2 | T52717 | LEVER ASSEMBLY | 1.0 | EA |
| 3 | T52711 | LEVER BASE | 1.0 | EA |
| 4 | T52712 | SOCKET SCREW | 2.0 | EA |
| 5 | T52674 | VALVE | 1.0 | EA |
| 6 | T52683 | ADAPTOR | 2.0 | EA |
| 7 | T5596 | HYDRAULIC SEAL | 3.0 | EA |
| 8 | T100465 | ADAPTOR | 1.0 | EA |
| 9 | T52714 | SPOOL | 1.0 | EA |
| 10 | T52713 | FLANGED WASHER | 2.0 | EA |
| 11 | T52677 | SEAL | 2.0 | EA |
| 12 | T52678 | CAP ASSEMBLY | 1.0 | EA |
| 13 | T52715 | CHECK VALVE ASSEMBLY | 1.0 | EA |
| 14 | T52681 | SEAL | 1.0 | EA |
| 15 | T52682 | PLUG | 1.0 | EA |
| 16 | T52679 | ADAPTOR | 1.0 | EA |
| 17 | T16501 | BOLT | 3.0 | EA |
| 18 | T15819 | PLAIN WASHER | 6.0 | EA |
| 19 | T13064 | NUT | 3.0 | EA |



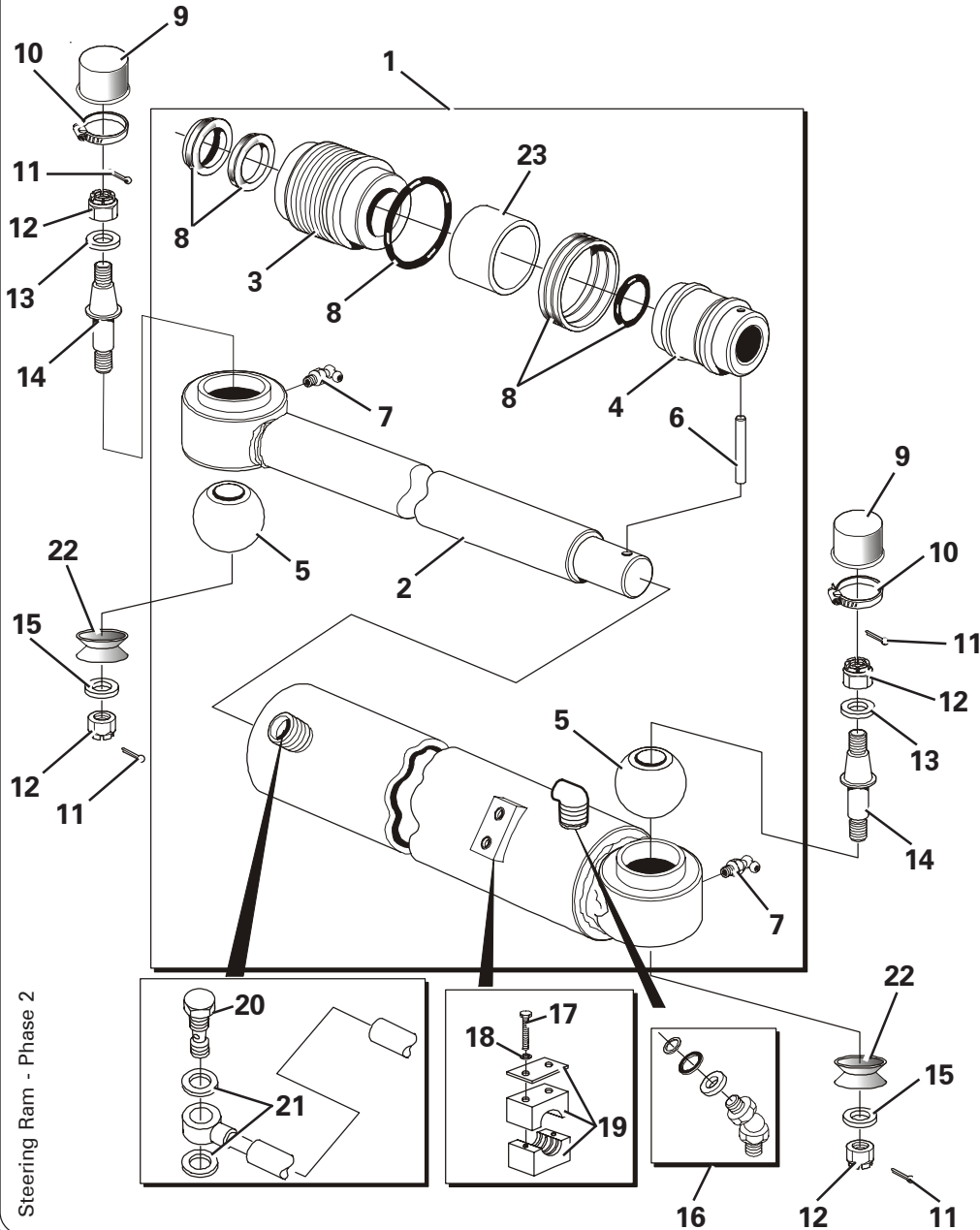
Tipping Valve Assembly - Forward Tip

TIPPING RAM ASSEMBLY



| Item | Part No. | Description | Qty | U/M |
|------|----------|--------------------|-----|-----|
| 1 | T100514 | TIPPING RAM | 1.0 | EA |
| 2 | T53061 | ROD ASSY | 1.0 | EA |
| 3 | T52787 | HEADBUSH | 1.0 | EA |
| 4 | T52721 | PISTON | 1.0 | EA |
| 5 | T52722 | SPRING TENSION PIN | 1.0 | EA |
| 6 | T13454 | GREASE NIPPLE | 3.0 | EA |
| 7 | T53062 | SEAL KIT | 1.0 | EA |
| 8 | T16505 | SET BOLT | 2.0 | EA |
| 9 | T15819 | PLAIN WASHER | 4.0 | EA |
| 10 | T13064 | NUT | 2.0 | EA |
| 11 | T100088 | TIPPING RAM PIN | 2.0 | EA |
| 12 | T100098 | CIRCLIP | 2.0 | EA |
| 13 | T5637 | BONDED SEAL | 2.0 | EA |
| 14 | T13606 | ADAPTOR | 2.0 | EA |

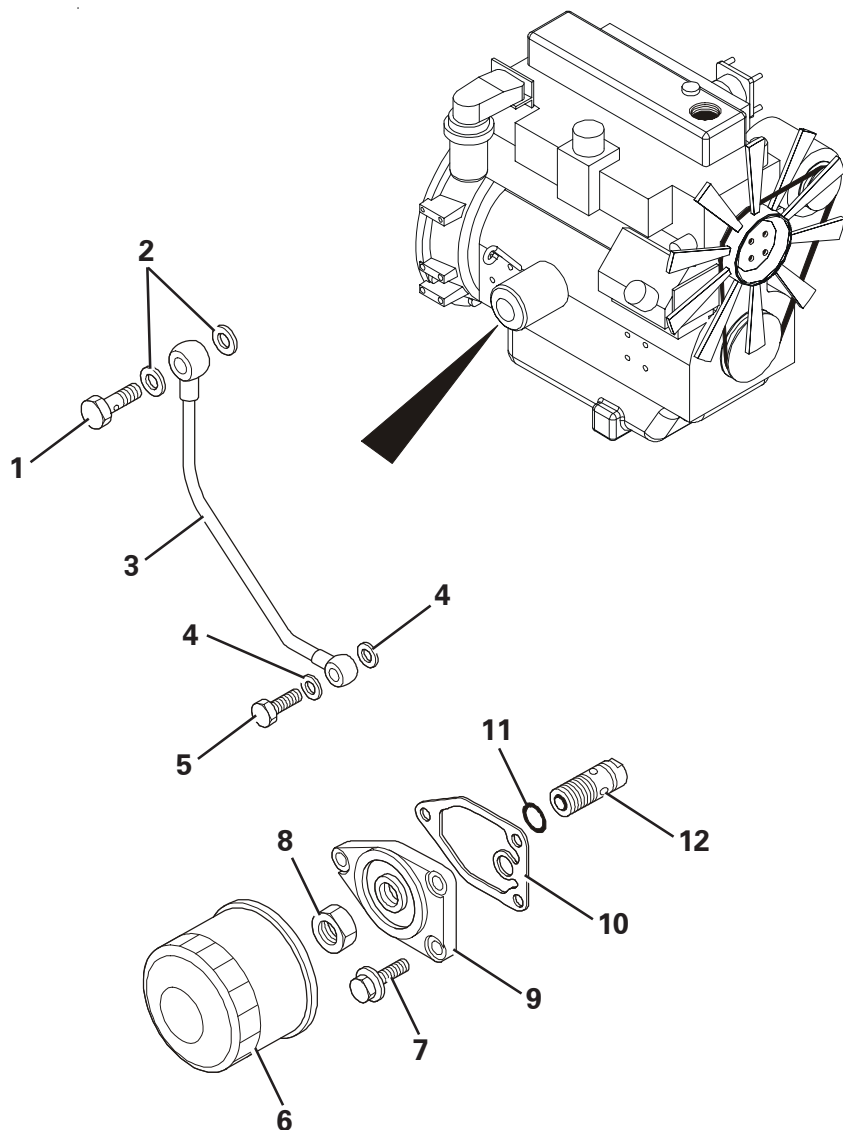
STEERING RAM ASSEMBLY



| Item | Part No. | Description | Qty | U/M |
|------|----------|-------------------|-----|-----|
| 1* | T101017 | STEERING RAM | 1.0 | EA |
| 2* | T53058 | ROD ASSY | 1.0 | EA |
| 3 | T52784 | HEADBUSH | 1.0 | EA |
| 4 | T50433 | PISTON | 1.0 | EA |
| 5 | T2162 | SPHERICAL BEARING | 2.0 | EA |
| 6 | T50487 | TENSION PIN | 1.0 | EA |
| 7 | T5020 | GREASE NIPPLE | 2.0 | EA |
| 8* | T53059 | SEAL KIT | 1.0 | EA |
| 9 | T100652 | RAM SEAL | 2.0 | EA |
| 10 | T7540 | JUBILEE CLIP | 2.0 | EA |
| 11 | T6751 | SPLIT PIN | 4.0 | EA |
| 12 | T100490 | SLOTTED NUT | 4.0 | EA |
| 13 | T100777 | PIN COLLAR | 2.0 | EA |
| 14 | T100483 | RAM PIN | 2.0 | EA |
| 15 | T6768 | WASHER | 2.0 | EA |
| 16 | T100775 | ELBOW | 1.0 | EA |
| 17 | T17155 | BOLT | 2.0 | EA |
| 18 | T14837 | SPRING WASHER | 2.0 | EA |
| 19 | T100565 | PIPE CLAMP | 1.0 | EA |
| 20 | T52793 | BANJO BOLT | 1.0 | EA |
| 21 | T52794 | WASHER | 2.0 | EA |
| 22 | T100653 | RAM SEAL | 2.0 | EA |
| 23* | T53060 | SPACER | 1.0 | EA |

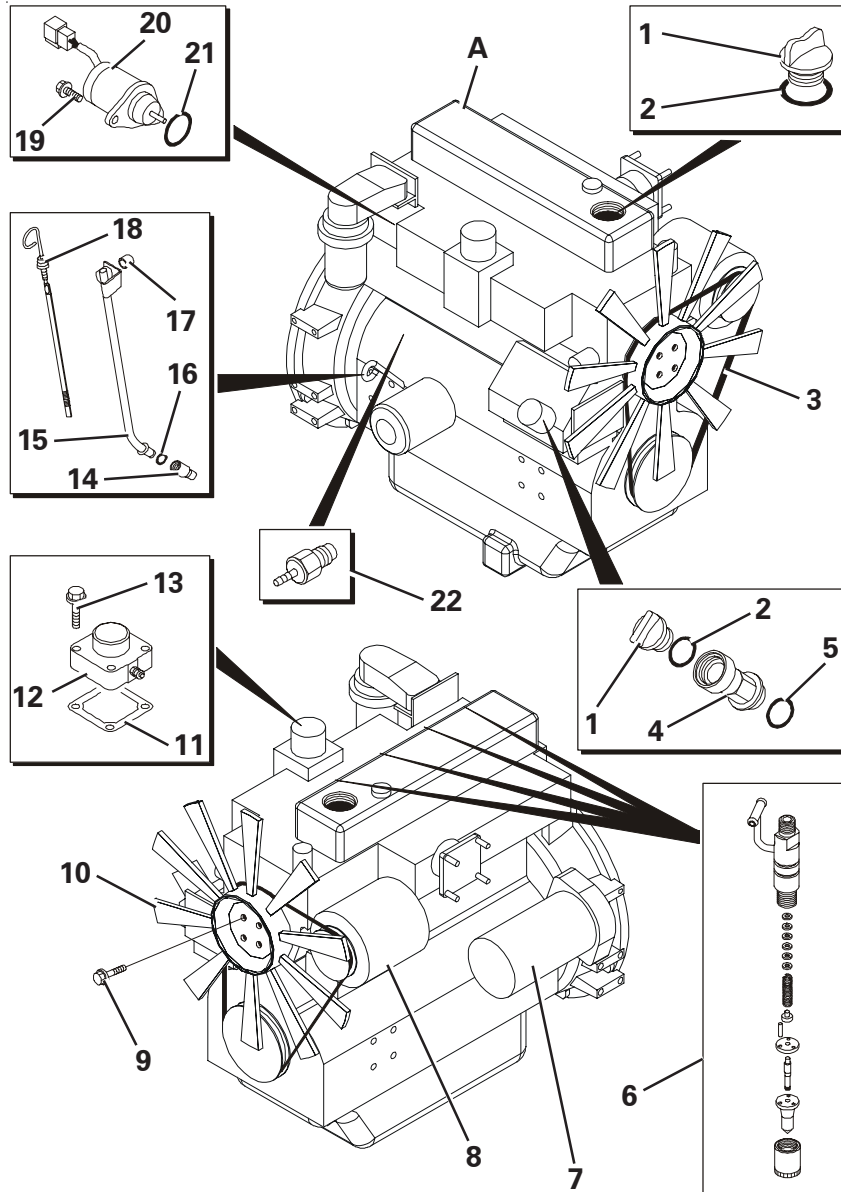
Steering Ram - Phase 2

ENGINE - OIL FILTER ASSEMBLY



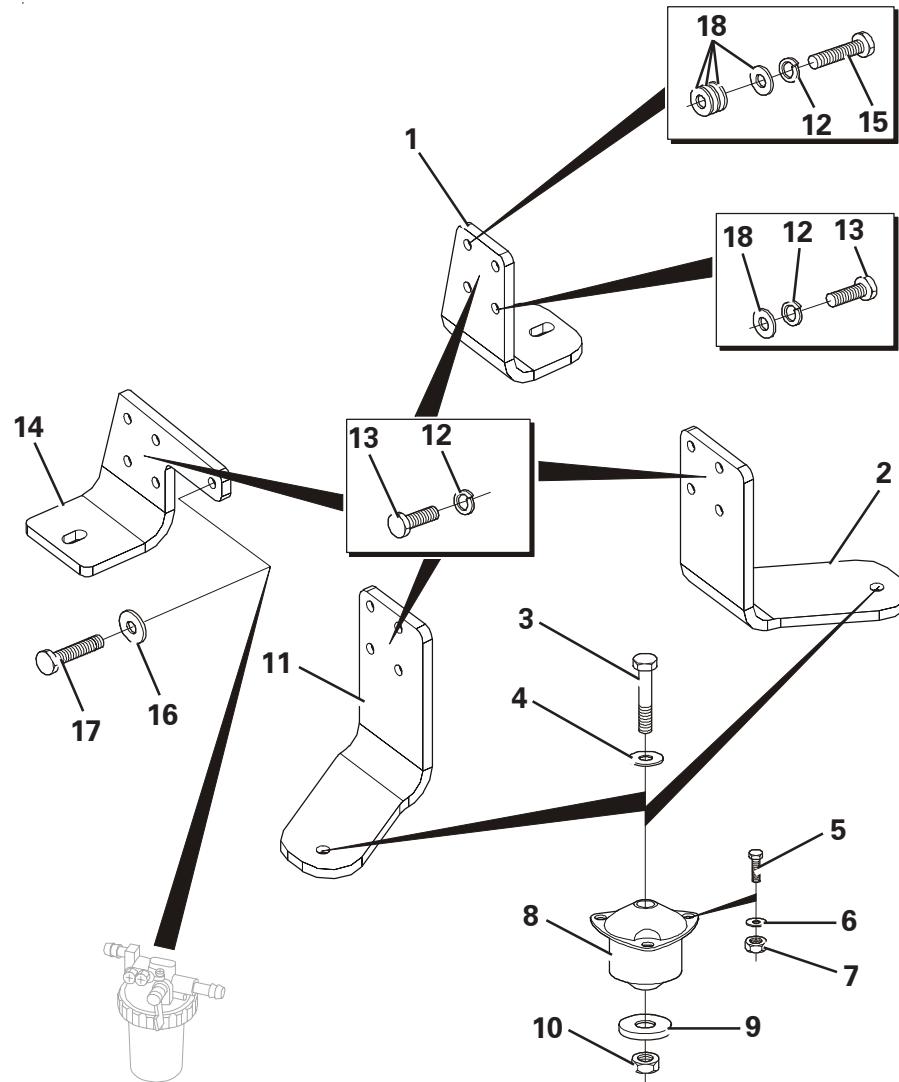
| Item | Part No. | Description | Qty | U/M |
|------|----------|---------------|-----|-----|
| 1 | T53038 | BOLT | 1.0 | EA |
| 2 | T53039 | WASHER | 2.0 | EA |
| 3 | T53040 | PIPE ASSEMBLY | 1.0 | EA |
| 4 | T53041 | WASHER | 2.0 | EA |
| 5 | T53042 | BOLT | 1.0 | EA |
| 6 | T52686 | OIL FILTER | 1.0 | EA |
| 7 | T53043 | BOLT | 1.0 | EA |
| 8 | T53044 | NUT | 1.0 | EA |
| 9 | T53045 | BRACKET | 1.0 | EA |
| 10 | T53046 | GASKET | 1.0 | EA |
| 11 | T52901 | O RING | 1.0 | EA |
| 12 | T53047 | BOLT | 1.0 | EA |

ENGINE - ACCESSORIES

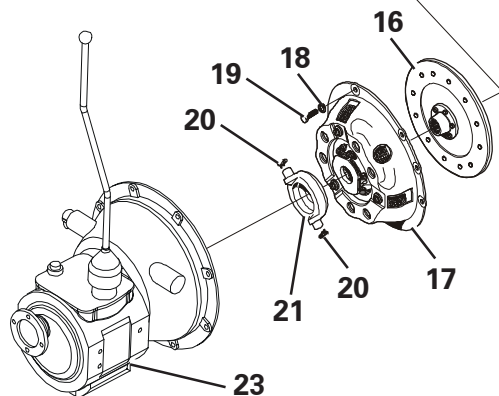
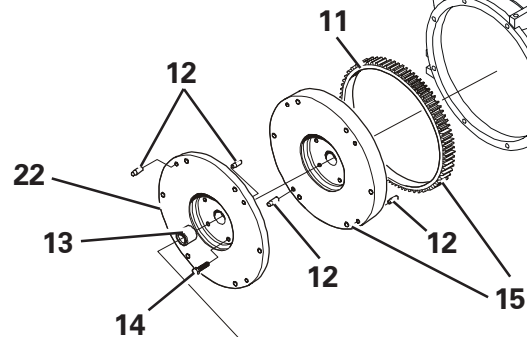
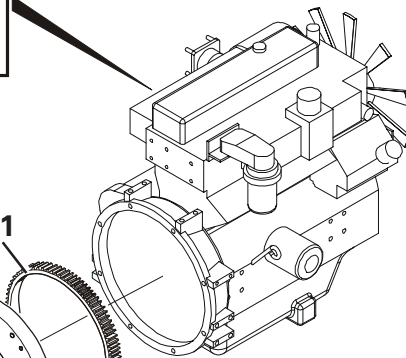
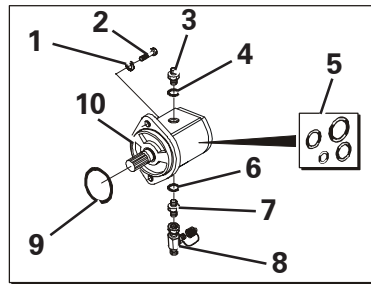


| Item | Part No. | Description | Qty | U/M |
|------|----------|---------------------|-----|-----|
| A | T100684 | ENGINE | 1.0 | EA |
| 1 | T52816 | CAP | 2.0 | EA |
| 2 | T52817 | O RING | 2.0 | EA |
| 3 | T53048 | BELT | 1.0 | EA |
| 4 | T52818 | PIPE | 1.0 | EA |
| 5 | T52819 | O RING | 1.0 | EA |
| 6 | T52820 | VALVE ASSEMBLY | 4.0 | EA |
| 7 | T52689 | STARTER MOTOR | 1.0 | EA |
| 8 | T52690 | GENERATOR | 1.0 | EA |
| 9 | T53050 | BOLT | 4.0 | EA |
| 10 | T52821 | FAN | 1.0 | EA |
| 11 | T52824 | GASKET | 1.0 | EA |
| 12 | T52823 | HEATER | 1.0 | EA |
| 13 | T52825 | BOLT | 4.0 | EA |
| 14 | T52830 | GUIDE | 1.0 | EA |
| 15 | T52827 | GUIDE | 1.0 | EA |
| 16 | T52829 | O RING | 1.0 | EA |
| 17 | T52828 | SPACER | 1.0 | EA |
| 18 | T52826 | DIPSTICK | 1.0 | EA |
| 19 | T52835 | BOLT | 2.0 | EA |
| 20 | T52833 | STOP SOLENOID | 1.0 | EA |
| 21 | T52834 | O RING | 1.0 | EA |
| 22 | T52832 | OIL PRESSURE SWITCH | 1.0 | EA |

ENGINE MOUNTINGS



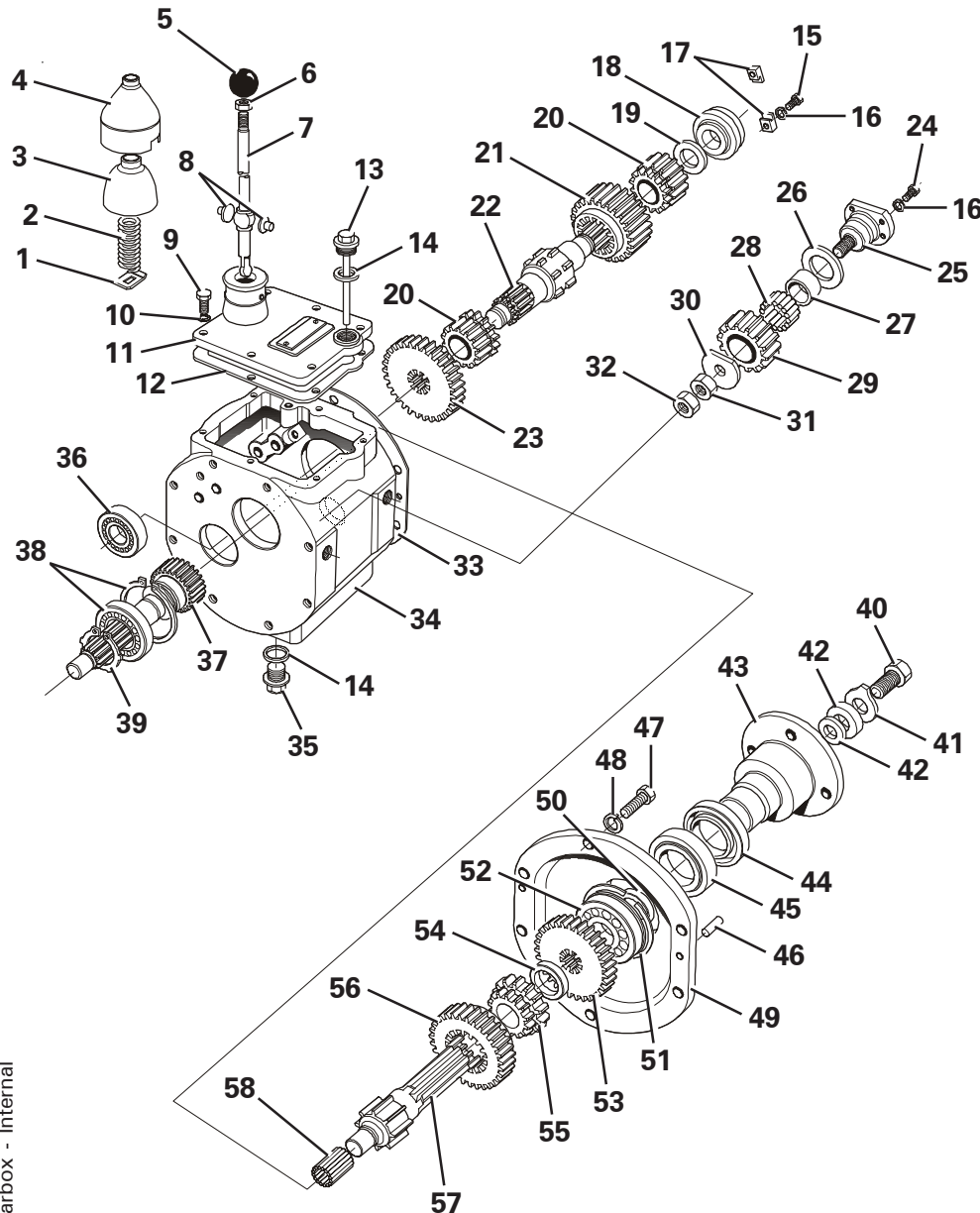
| Item | Part No. | Description | Qty | U/M |
|------|----------|-----------------------|------|-----|
| 1 | T100673 | ENGINE MOUNT FRONT RH | 1.0 | EA |
| 2 | T100675 | ENGINE MOUNT REAR RH | 1.0 | EA |
| 3 | T14819 | BOLT | 4.0 | EA |
| 4 | T6769 | THICK WASHER | 4.0 | EA |
| 5 | T12694 | SET SCREW | 12.0 | EA |
| 6 | T12973 | PLAIN WASHER | 12.0 | EA |
| 7 | T19007 | PHILIDAS NUT | 12.0 | EA |
| 8* | T14564 | ENGINE MOUNT | 4.0 | EA |
| 9 | T9046 | WASHER | 4.0 | EA |
| 10 | T14283 | PHILIDAS NUT | 4.0 | EA |
| 11 | T100676 | ENGINE MOUNT REAR LH | 1.0 | EA |
| 12 | T13362 | SPRING WASHER | 16.0 | EA |
| 13 | T7466 | SET SCREW | 15.0 | EA |
| 14 | T100674 | ENGINE MOUNT FRONT LH | 1.0 | EA |
| 15 | T16505 | SET BOLT | 1.0 | EA |
| 16 | T12973 | PLAIN WASHER | 1.0 | EA |
| 17 | T16666 | BOLT | 1.0 | EA |
| 18 | T10734 | H/DUTY WASHER | 5.0 | EA |



CLUTCH ASSEMBLY & HYD. PUMP

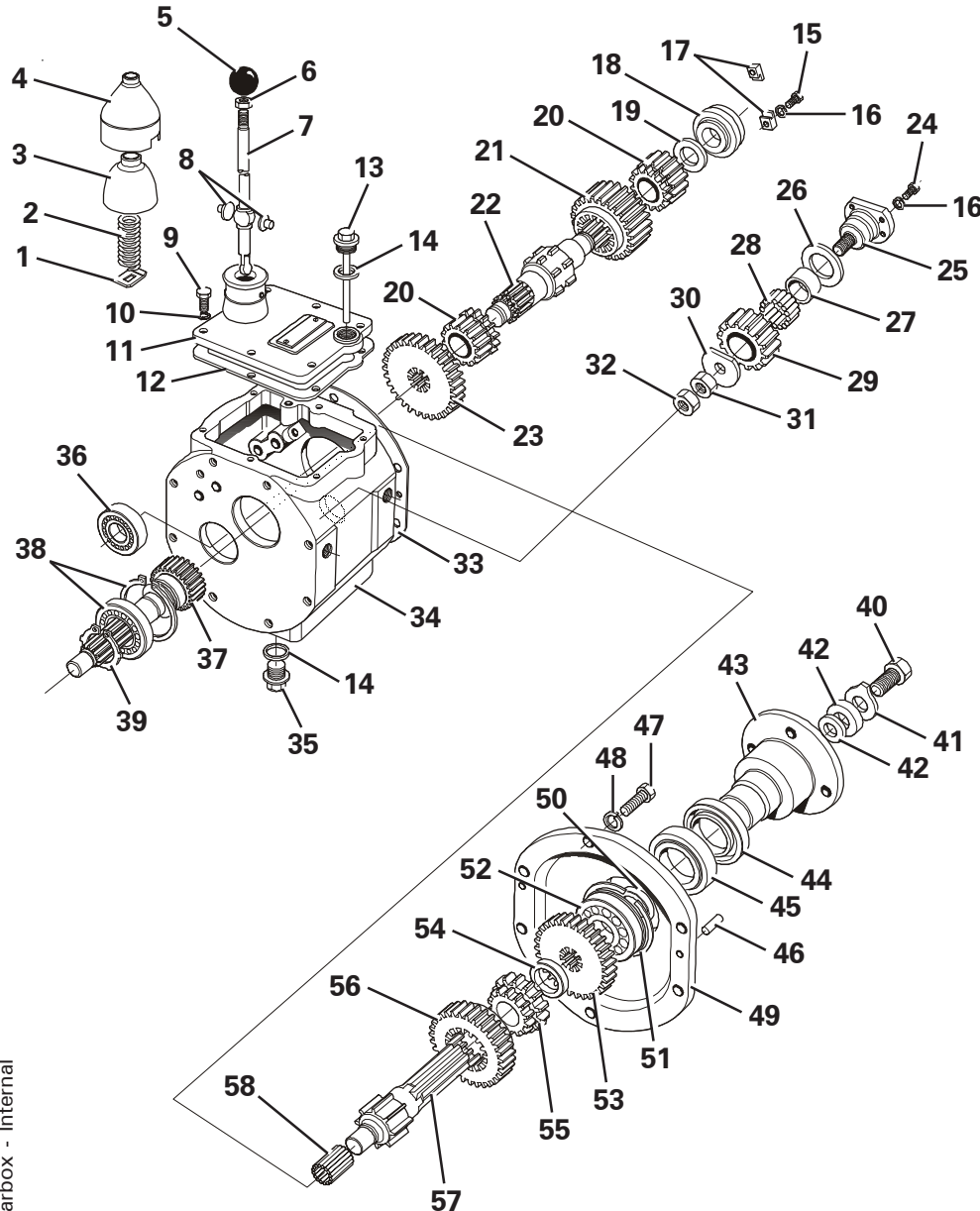
| Item | Part No. | Description | Qty | U/M |
|------|----------|-----------------------------|-----|-----|
| 1 | T13362 | SPRING WASHER | 2.0 | EA |
| 2 | T17969 | CAPHEAD SET SCREW | 2.0 | EA |
| 3 | T8014 | ADAPTOR | 1.0 | EA |
| 4 | T5594 | HYD SEAL | 1.0 | EA |
| 5 | T52643 | SEAL KIT | 1.0 | EA |
| 6 | T5596 | HYDRAULIC SEAL | 1.0 | EA |
| 7 | T13936 | ADAPTOR | 1.0 | EA |
| 8 | T18008 | PRESSURE TEST POINT ADAPTOR | 1.0 | EA |
| 9 | T52891 | O RING | 1.0 | EA |
| 10 | T100588 | PUMP | 1.0 | EA |
| 11 | T53065 | RING GEAR | 1.0 | EA |
| 12 | T100973 | DOWEL | 4.0 | EA |
| 13 | T4520 | BUSH | 1.0 | EA |
| 14 | T52838 | BOLT | 6.0 | EA |
| 15 | T53073 | FLYWHEEL ASSEMBLY | 1.0 | EA |
| 16 | T100904 | CLUTCH DRIVEN PLATE | 1.0 | EA |
| 17 | T12193 | CLUTCH COVER | 1.0 | EA |
| 18 | T12972 | SPRING WASHER | 6.0 | EA |
| 19 | T6784 | SET SCREW | 6.0 | EA |
| 20 | T7095 | SPRING RETAINERS | 2.0 | EA |
| 21 | T6551 | RELEASE BEARING | 1.0 | EA |
| 22 | T100889 | CLUTCH ADAPTOR PLATE | 1.0 | EA |
| 23 | T100871 | GEARBOX ASSEMBLY | 1.0 | EA |

GEARBOX - INTERNAL



| Item | Part No. | Description | Qty | U/M |
|------|----------|---------------------|-----|-----|
| 1 | T4508 | RETAINER PLATES | 1.0 | EA |
| 2 | T4486 | SPRING | 1.0 | EA |
| 3 | T4549 | COVER | 1.0 | EA |
| 4 | T4485 | COVER | 1.0 | EA |
| 5 | T4547 | KNOB | 1.0 | EA |
| 6 | T7727 | LOCKNUT | 1.0 | EA |
| 7 | T53063 | GEAR LEVER ASSEMBLY | 1.0 | EA |
| 8 | T4507 | PAD GEAR LEVER | 2.0 | EA |
| 9 | T3977 | BOLT | 6.0 | EA |
| 10 | T14837 | SPRING WASHER | 6.0 | EA |
| 11 | T4519 | TOP COVER | 1.0 | EA |
| 12 | T4530 | JOINT | 1.0 | EA |
| 13 | T3409 | DIPSTICK | 1.0 | EA |
| 14 | T50423 | BOND SEAL | 2.0 | EA |
| 15 | T6737 | LONG SET SCREW | 2.0 | EA |
| 16 | T6738 | SPRING WASHER | 2.0 | EA |
| 17 | T2824 | BEARING CLIP | 2.0 | EA |
| 18 | T2839 | BALL BEARING | 1.0 | EA |
| 19 | T2837 | SPACER | 1.0 | EA |
| 20 | T2838 | REVERSE SPEED GEAR | 2.0 | EA |
| 21 | T2836 | 2ND SPEED SLD GEAR | 1.0 | EA |
| 22 | T2835 | LAYSHAFT | 1.0 | EA |
| 23 | T2833 | 1ST REDUCTION GEAR | 1.0 | EA |
| 24 | T6774 | SET SCREW | 4.0 | EA |
| 25 | T3433 | IDLER SHAFT | 1.0 | EA |
| 26 | T3410 | THRUST WASHER | 1.0 | EA |
| 27 | T3411 | INNER RING | 1.0 | EA |
| 28 | T3412 | NEEDLE BEARING | 1.0 | EA |
| 29 | T2826 | REVERSE PINION | 1.0 | EA |

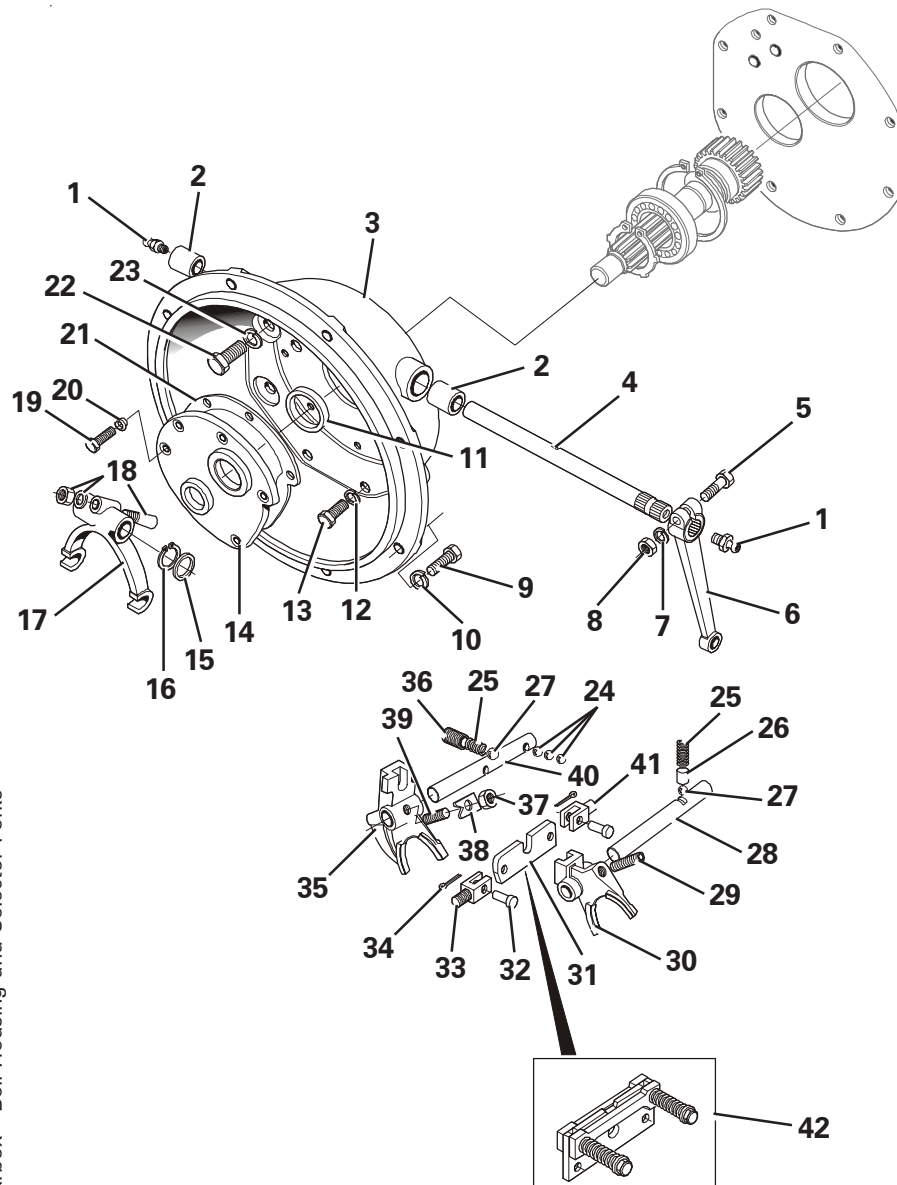
GEARBOX - INTERNAL



| Item | Part No. | Description | Qty | U/M |
|------|----------|--------------------|-----|-----|
| 30 | T3431 | WASHER | 1.0 | EA |
| 31 | T3613 | NUT | 1.0 | EA |
| 32 | T6847 | LOCKNUT | 1.0 | EA |
| 33 | T3687 | GASKET | 1.0 | EA |
| 34 | T2832 | GEARCASE | 1.0 | EA |
| 35 | T4248 | PLUG | 1.0 | EA |
| 36 | T3419 | BEARING | 1.0 | EA |
| 37 | T52345 | INPUT SHAFT | 1.0 | EA |
| 38 | T3415 | BEARING | 1.0 | EA |
| 39 | T3414 | CIRCLIP | 1.0 | EA |
| 40 | T7078 | LONG BOLT | 1.0 | EA |
| 41 | T4443 | LOCK WASHER | 1.0 | EA |
| 42 | T3646 | WASHER | 1.0 | EA |
| 43 | T4200 | COUPLING | 1.0 | EA |
| 44 | T4253 | DUST EXCLUDER | 1.0 | EA |
| 45 | T4531 | OILSEAL | 1.0 | EA |
| 46 | T3745 | DOWEL | 2.0 | EA |
| 47 | T3685 | SCREW | 6.0 | EA |
| 48 | T13362 | SPRING WASHER | 6.0 | EA |
| 49 | T3318 | END COVER | 1.0 | EA |
| 50 | T3427 | SPACER | 1.0 | EA |
| 51 | T2822 | SPACER | 1.0 | EA |
| 52 | T4441 | BEARING | 1.0 | EA |
| 53 | T2830 | OUTPUT GEAR | 1.0 | EA |
| 54 | T2822 | SPACER | 1.0 | EA |
| 55 | T4559 | SPEED GEAR | 1.0 | EA |
| 56 | T2825 | 1ST SPEED SLD GEAR | 1.0 | EA |
| 57 | T52346 | MAINSHAFT | 1.0 | EA |
| 58 | T50612 | PLANET CAGE ROLLER | 1.0 | EA |

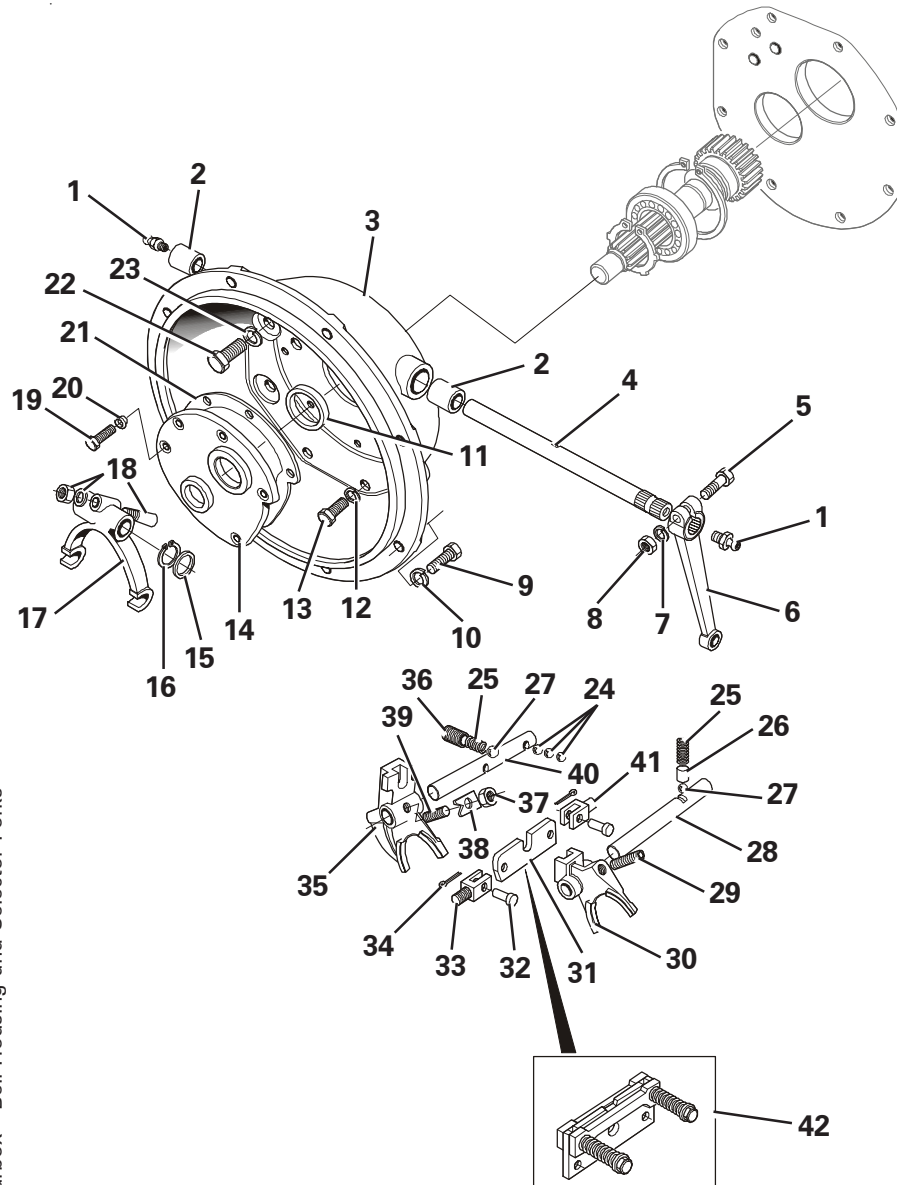
Gearbox - Internal

G/BOX - HOUSING & SELECTOR FORKS



| Item | Part No. | Description | Qty | U/M |
|------|----------|-------------------------|------|-----|
| 1 | T6673 | GREASE NIPPLE | 2.0 | EA |
| 2 | T4403 | BUSH | 2.0 | EA |
| 3 | T1701 | CLUTCH HOUSING | 1.0 | EA |
| 4 | T2777 | CLUTCH SHAFT | 1.0 | EA |
| 5 | T7977 | BOLT | 1.0 | EA |
| 6 | T4428 | CLUTCH OP LEVER | 1.0 | EA |
| 7 | T6738 | SPRING WASHER | 1.0 | EA |
| 8 | T7717 | NUT | 1.0 | EA |
| 9 | T8142 | SET BOLT | 12.0 | EA |
| 10 | T14865 | SPRING WASHER | 12.0 | EA |
| 11 | T3224 | INPUT OILSEAL | 1.0 | EA |
| 12 | T12972 | SPRING WASHER | 2.0 | EA |
| 13 | T50267 | BOLT | 2.0 | EA |
| 14 | T3435 | FRONT COVER | 1.0 | EA |
| 15 | T4481 | WASHER | 1.0 | EA |
| 16 | T4468 | CIRCLIP | 1.0 | EA |
| 17 | T4430 | CLUTCH FORK | 1.0 | EA |
| 18 | T4429 | COTTER PIN-NUT & WASHER | 1.0 | EA |
| 19 | T3977 | BOLT | 6.0 | EA |
| 20 | T3741 | WASHER | 6.0 | EA |

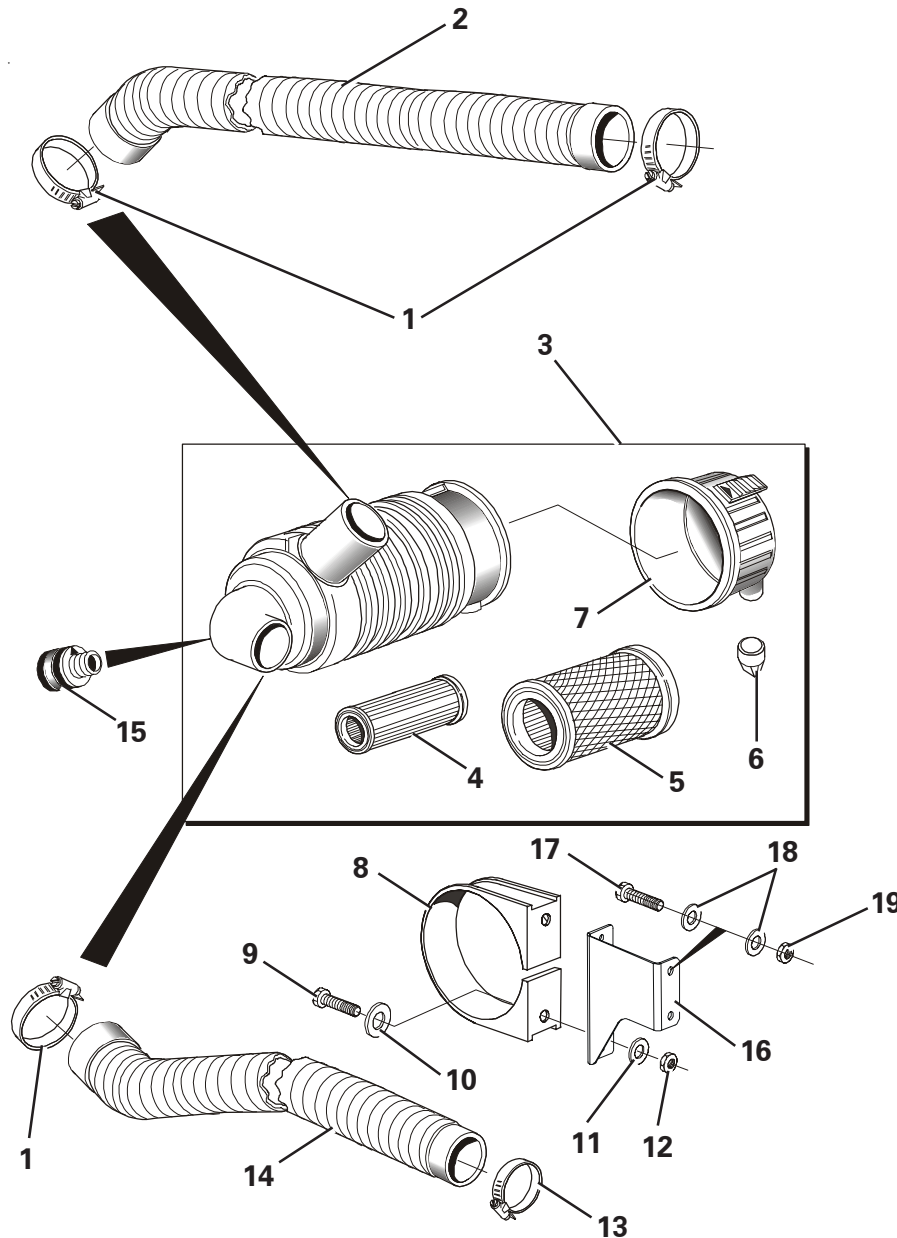
G/BOX - HOUSING & SELECTOR FORKS



| Item | Part No. | Description | Qty | U/M |
|------|----------|------------------------|-----|-----|
| 21 | T3404 | GASKET | 1.0 | EA |
| 22 | T3744 | SCREW | 6.0 | EA |
| 23 | T13362 | SPRING WASHER | 4.0 | EA |
| 23A | T2984 | WASHER | 2.0 | EA |
| 24 | T3407 | STEEL BALLS | 3.0 | EA |
| 25 | T4420 | DETENT SPRING | 1.0 | EA |
| 26 | T3428 | PACKING DETENT SPRING | 1.0 | EA |
| 27 | T4464 | BEARING | 2.0 | EA |
| 28 | T3422 | SELECTOR SHAFT | 1.0 | EA |
| 29 | T3408 | GRUB SCREW | 1.0 | EA |
| 30 | T50464 | SELECTOR FORK 2ND/3RD | 1.0 | EA |
| 31 | T50462 | INTERLOCK SAFETY PLATE | 1.0 | EA |
| 32 | T4512 | CLEVIS PIN | 2.0 | EA |
| 33 | T4514 | STUD SHORT | 1.0 | EA |
| 34 | T6744 | SPLIT PIN | 2.0 | EA |
| 35 | T50463 | SELECTOR FORK 1ST/REV | 1.0 | EA |
| 36 | T3406 | GRUB SCREW | 1.0 | EA |
| 37 | T9775 | NUT | 1.0 | EA |
| 38 | T3420 | LOCK WASHER | 1.0 | EA |
| 39 | T3405 | GRUB SCREW | 1.0 | EA |
| 40 | T3421 | SELECTOR SHAFT | 1.0 | EA |
| 41 | T3437 | STUD | 1.0 | EA |
| 42 | T50551 | INTERLOCK PLATE ASSY. | 1.0 | EA |

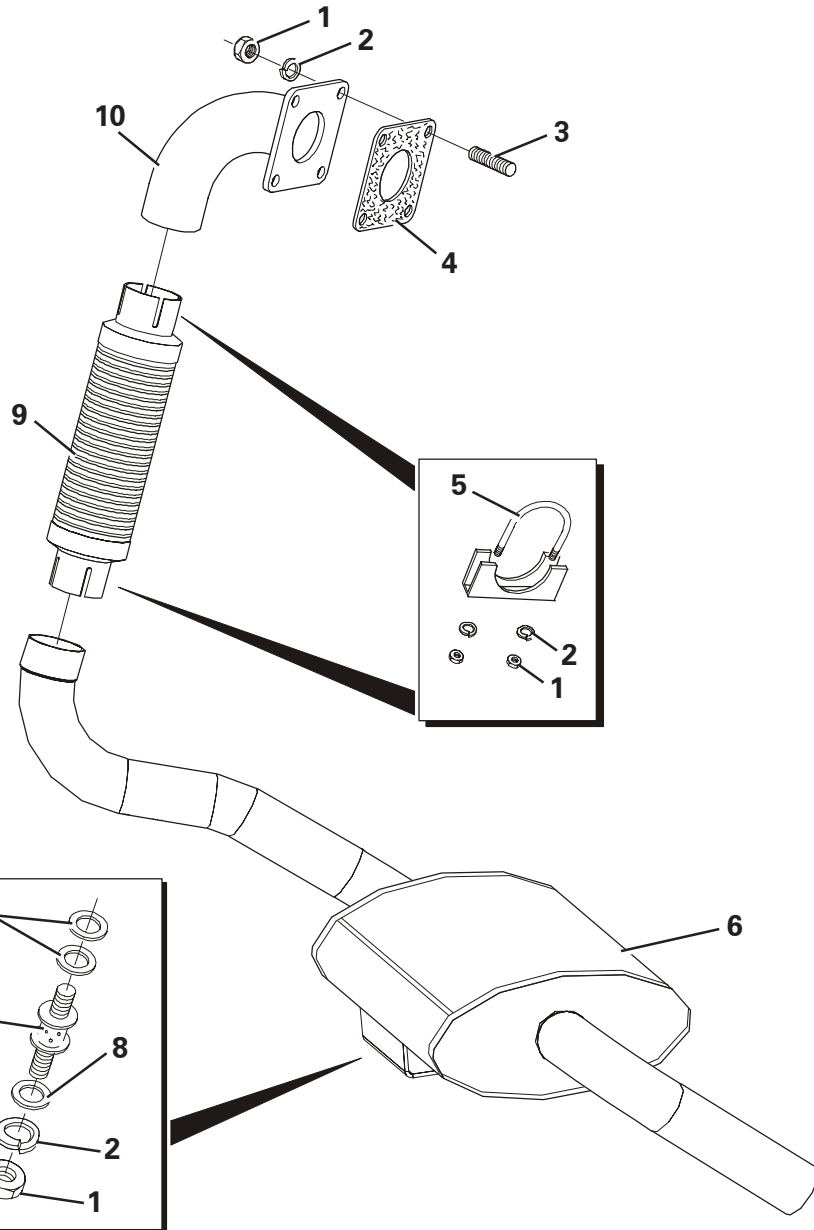
Gearbox - Bell Housing and Selector Forks

AIR CLEANER ASSEMBLY



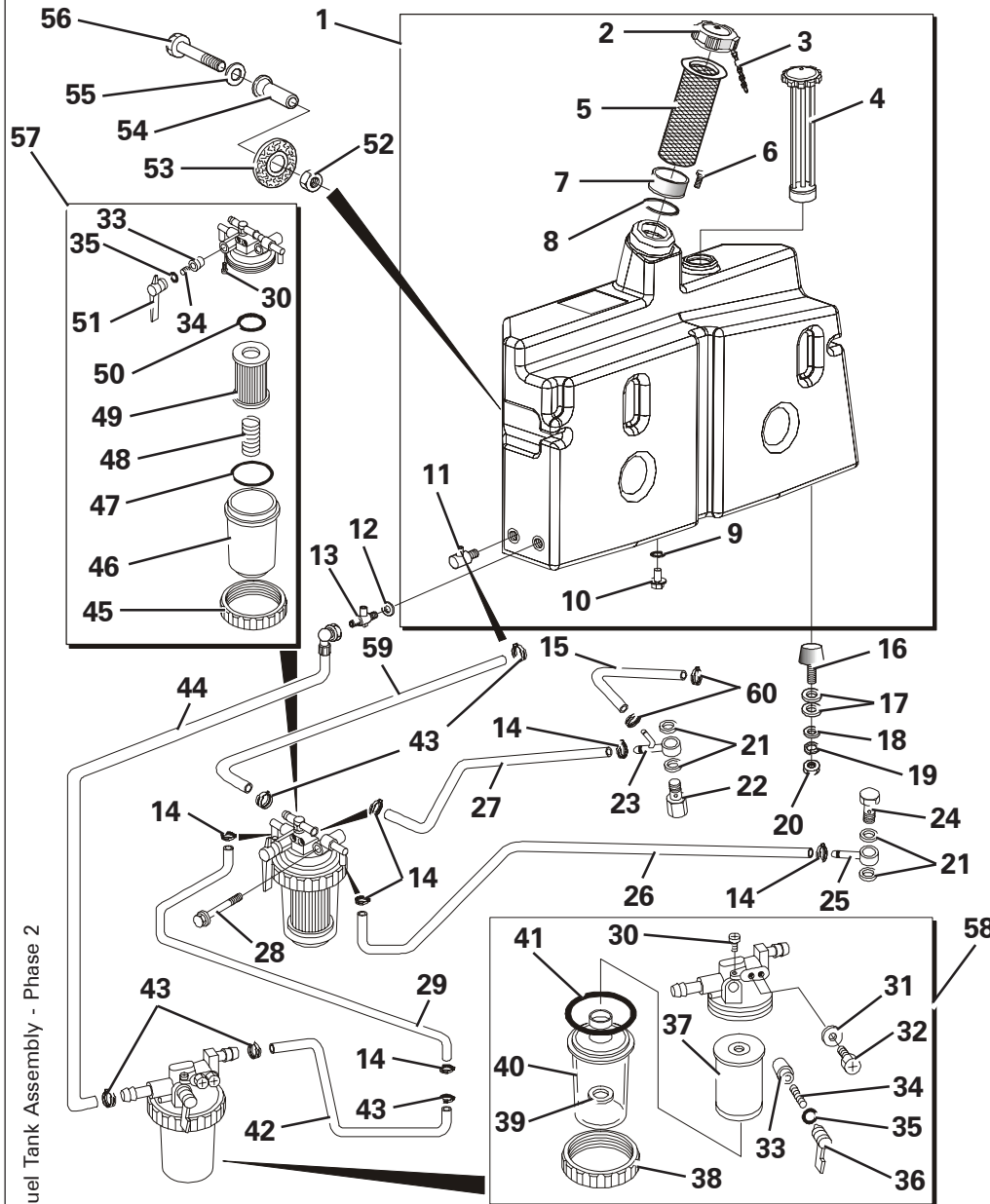
| Item | Part No. | Description | Qty | U/M |
|------|----------|---------------------------|-----|-----|
| 1 | T7540 | JUBILEE CLIP | 3.0 | EA |
| 2 | T100638 | FLEXIBLE AIR CLEANER HOSE | 1.0 | EA |
| 3 | T100234 | AIR CLEANER | 1.0 | EA |
| 4 | T52648 | SAFETY ELEMENT | 1.0 | EA |
| 5 | T52647 | MAIN ELEMENT | 1.0 | EA |
| 6 | T51772 | VAC VALVE | 1.0 | EA |
| 7 | T52649 | DUST COVER | 1.0 | EA |
| 8 | T100478 | AIR CLEANER MOUNTING BAND | 1.0 | EA |
| 9 | T14152 | BOLT | 2.0 | EA |
| 10 | T9345 | WASHER | 2.0 | EA |
| 11 | T12973 | PLAIN WASHER | 2.0 | EA |
| 12 | T13457 | NYLOC NUT | 2.0 | EA |
| 13 | T7872 | JUBILEE CLIP | 1.0 | EA |
| 14 | T100637 | FLEXIBLE AIR CLEANER HOSE | 1.0 | EA |
| 15 | T100282 | RESTRICTION INDICATOR | 1.0 | EA |
| 16 | T100941 | MOUNTING BRACKET | 1.0 | EA |
| 17 | T7466 | SET SCREW | 2.0 | EA |
| 18 | T15819 | PLAIN WASHER | 4.0 | EA |
| 19 | T13064 | NUT | 2.0 | EA |

EXHAUST SYSTEM



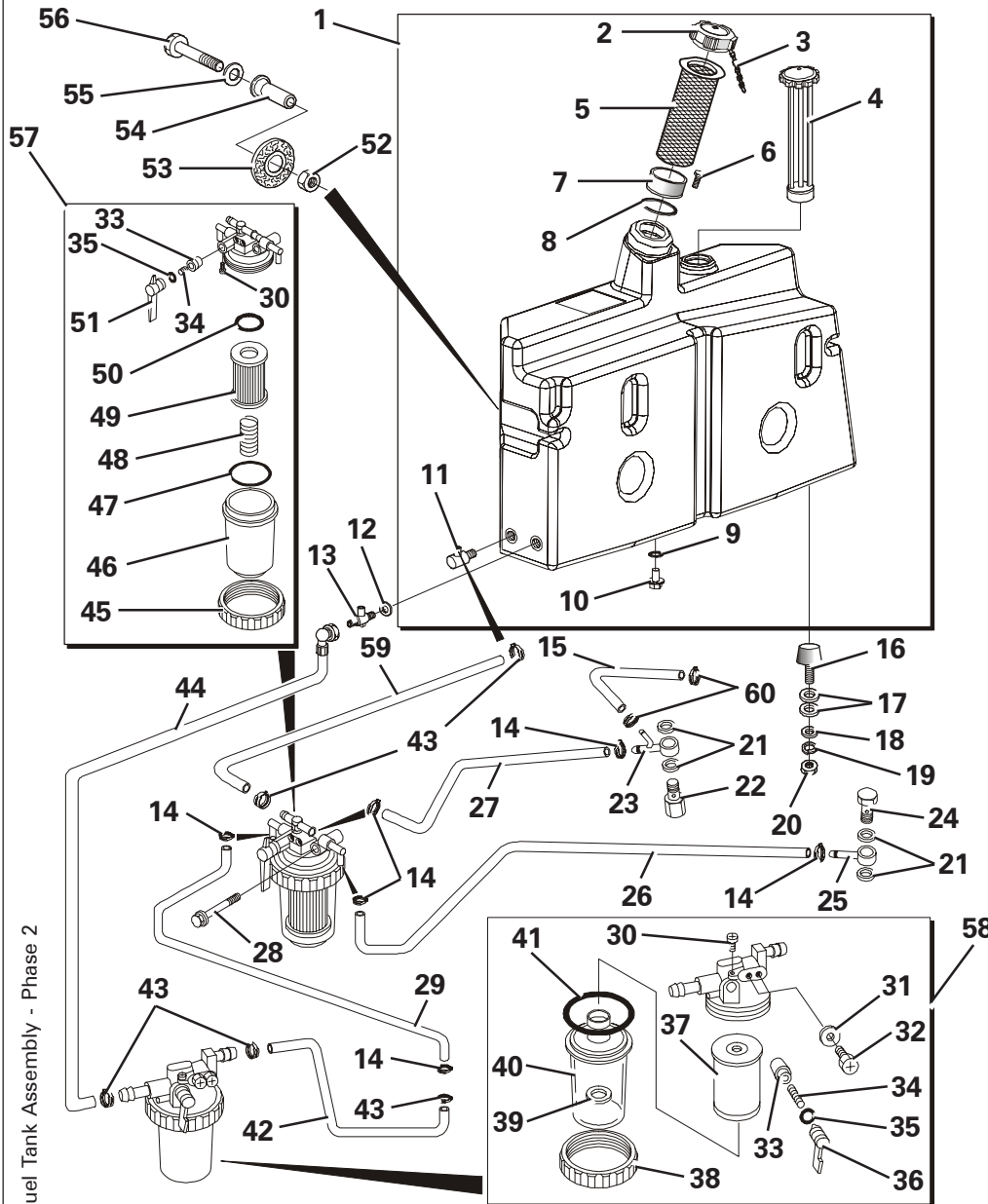
| Item | Part No. | Description | Qty | U/M |
|------|----------|------------------|------|-----|
| 1 | T9775 | NUT | 11.0 | EA |
| 2 | T12972 | SPRING WASHER | 11.0 | EA |
| 3 | T52797 | STUD | 4.0 | EA |
| 4 | T52685 | EXHAUST GASKET | 1.0 | EA |
| 5 | T18834 | EXHAUST CLAMP | 2.0 | EA |
| 6 | T100601 | EXHAUST SILENCER | 1.0 | EA |
| 7 | T100796 | RUBBER BUFFER | 3.0 | EA |
| 8 | T12973 | PLAIN WASHER | 3.0 | EA |
| 9 | T100602 | EXHAUST FLEXIBLE | 1.0 | EA |
| 10 | T100603 | MANIFOLD PIPE | 1.0 | EA |
| 11 | T9345 | WASHER | 6.0 | EA |

Exhaust System - Phase 2



FUEL TANK ASSEMBLY

| Item | Part No. | Description | Qty | U/M |
|------|----------|-----------------------|-----|-----|
| 1 | T100374 | PLASTIC FUEL TANK 45L | 1.0 | EA |
| 2 | T52283 | FUEL FILLER CAP | 1.0 | EA |
| 3 | T52437 | FILLER CAP CHAIN | 1.0 | EA |
| 4 | T52498 | LEVEL GAUGE | 1.0 | EA |
| 5 | T52284 | STRAINER | 1.0 | EA |
| 6 | T52590 | SCREW | 4.0 | EA |
| 7 | T52543 | FILLER CAP COLLAR | 1.0 | EA |
| 8 | T52589 | O RING | 1.0 | EA |
| 9 | T52588 | FIBRE WASHER | 1.0 | EA |
| 10 | T52282 | DRAIN PLUG | 1.0 | EA |
| 11 | T52372 | FUEL RETURN ELBOW | 1.0 | EA |
| 12 | T5695 | FIBRE WASHER FUEL TAP | 1.0 | EA |
| 13 | T5694 | FUEL TAP | 1.0 | EA |
| 14 | T52882 | CLAMP | 6.0 | EA |
| 15 | T52876 | PIPE | 1.0 | EA |
| 16 | T100214 | RUBBER BUFFER | 2.0 | EA |
| 17 | T8128 | WASHER | 4.0 | EA |
| 18 | T9345 | WASHER | 2.0 | EA |
| 19 | T12972 | SPRING WASHER | 2.0 | EA |
| 20 | T9775 | NUT | 2.0 | EA |
| 21 | T52879 | SEAL WASHER | 4.0 | EA |
| 22 | T52880 | VALVE ASSY | 1.0 | EA |
| 23 | T52878 | JOINT | 1.0 | EA |
| 24 | T52883 | BOLT | 1.0 | EA |
| 25 | T52906 | JOINT | 1.0 | EA |
| 26 | T52905 | PIPE | 1.0 | EA |
| 27 | T52881 | PIPE | 1.0 | EA |
| 28 | T52904 | BOLT | 1.0 | EA |
| 29 | T52907 | PIPE | 1.0 | EA |
| 30 | T52884 | SCREW | 2.0 | EA |

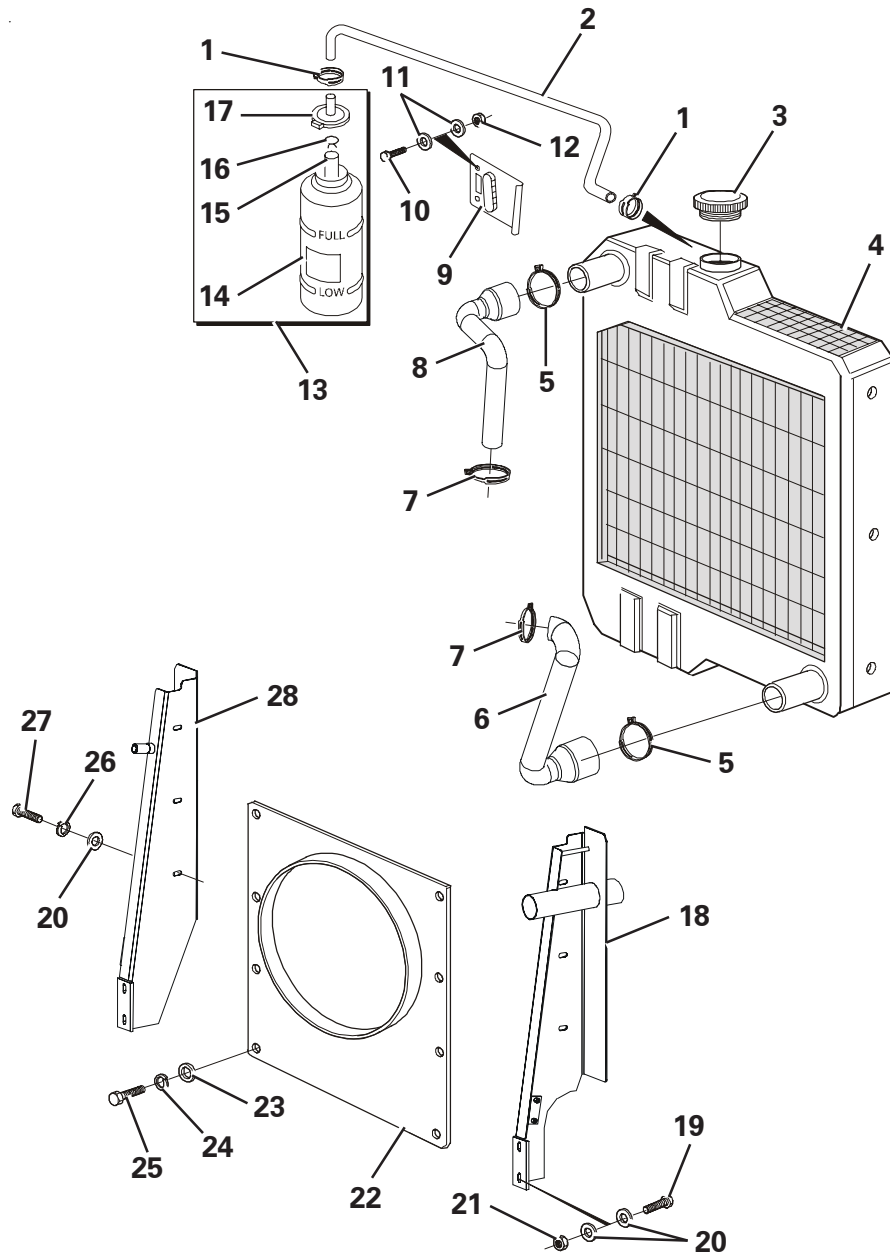


FUEL TANK ASSEMBLY

| Item | Part No. | Description | Qty | U/M |
|------|----------|----------------------|-----|-----|
| 31 | T52885 | NYLON GASKET | 2.0 | EA |
| 32 | T52886 | PLUG | 2.0 | EA |
| 33 | T52887 | VALVE | 2.0 | EA |
| 34 | T52888 | SPRING | 2.0 | EA |
| 35 | T52829 | O RING | 2.0 | EA |
| 36 | T52890 | HANDLE | 1.0 | EA |
| 37 | T52691 | SCREEN FILTER | 1.0 | EA |
| 38 | T52895 | RING | 1.0 | EA |
| 39 | T52894 | FLOAT | 1.0 | EA |
| 40 | T52893 | STRAINER CUP | 1.0 | EA |
| 41 | T52892 | O RING | 1.0 | EA |
| 42 | T100745 | FUEL HOSE | 1.0 | EA |
| 43 | T100691 | HOSE CLIP | 5.0 | EA |
| 44 | T100744 | FUEL HOSE | 1.0 | EA |
| 45 | T52897 | RING | 1.0 | EA |
| 46 | T52898 | STRAINER CUP | 1.0 | EA |
| 47 | T52899 | O RING | 1.0 | EA |
| 48 | T52900 | SPRING | 1.0 | EA |
| 49 | T52687 | ELEMENT FUEL OIL | 1.0 | EA |
| 50 | T52901 | O RING | 1.0 | EA |
| 51 | T52902 | LEVER | 1.0 | EA |
| 52 | T12762 | LOCKING NUT | 2.0 | EA |
| 53 | T100323 | RUBBER BACKED WASHER | 2.0 | EA |
| 54 | T100372 | TANK SPACER | 2.0 | EA |
| 55 | T17184 | HEAVY DUTY WASHER | 2.0 | EA |
| 56 | T17963 | BOLT | 2.0 | EA |
| 57 | T52903 | FUEL STRAINER ASSY | 1.0 | EA |
| 58 | T52896 | WATER SEPERATOR ASSY | 1.0 | EA |
| 59 | T100746 | FUEL HOSE | 1.0 | EA |
| 60 | T52877 | CLAMP | 2.0 | EA |

Fuel Tank Assembly - Phase 2

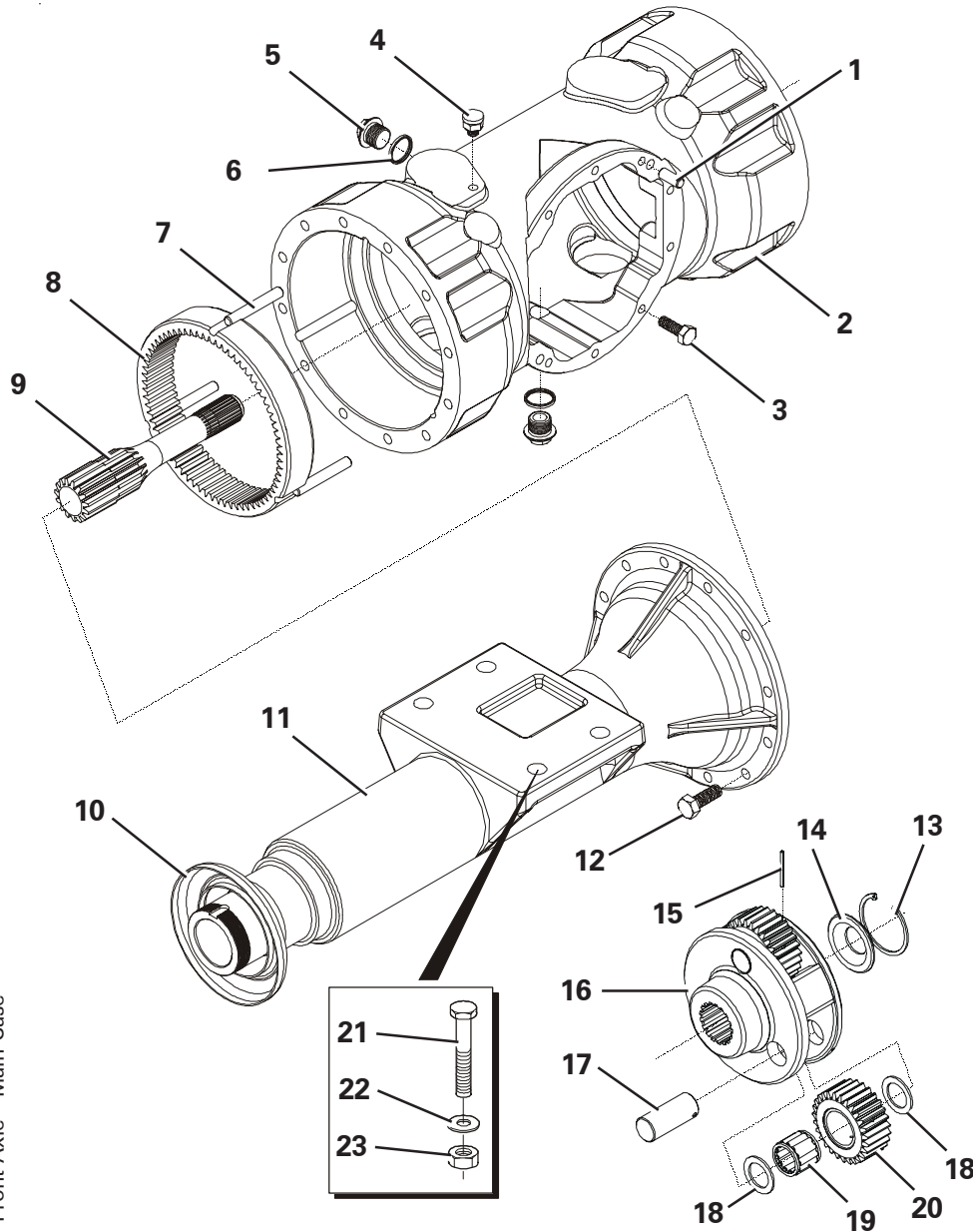
RADIATOR & FIXINGS



| Item | Part No. | Description | Qty | U/M |
|------|----------|-----------------------------|------|-----|
| 1 | T100421 | SPRING BAND CLAMP | 2.0 | EA |
| 2 | T100748 | HOSE | 1.0 | EA |
| 3 | T52889 | RADIATOR CAP | 1.0 | EA |
| 4* | T101364 | RADIATOR | 1.0 | EA |
| 5 | T100422 | SPRING BAND CLAMP | 2.0 | EA |
| 6 | T100619 | RADIATOR HOSE (BTM) | 1.0 | EA |
| 7 | T100687 | SPRING BAND CLAMP | 2.0 | EA |
| 8 | T100618 | RADIATOR HOSE (TOP) | 1.0 | EA |
| 9 | T52805 | BRACKET SUB-TANK | 1.0 | EA |
| 10 | T7465 | SET SCREW | 2.0 | EA |
| 11 | T12973 | PLAIN WASHER | 4.0 | EA |
| 12 | T13457 | NYLOC NUT | 2.0 | EA |
| 13 | T52800 | TANK ASSEMBLY | 1.0 | EA |
| 14 | T52801 | TANK | 1.0 | EA |
| 15 | T52804 | PIPE | 1.0 | EA |
| 16 | T52803 | CLAMP | 1.0 | EA |
| 17 | T52802 | CAP | 1.0 | EA |
| 18 | T100493 | RADIATOR MOUNTING BRKT (LH) | 1.0 | EA |
| 19 | T20618 | SET SCREW | 4.0 | EA |
| 20 | T10734 | H/DUTY WASHER | 14.0 | EA |
| 21 | T13064 | NUT | 4.0 | EA |
| 22* | T53107 | RADIATOR COWL | 1.0 | EA |
| 23 | T13911 | FLAT WASHER | 8.0 | EA |
| 24 | T14837 | SPRING WASHER | 8.0 | EA |
| 25 | T10917 | SET BOLT | 8.0 | EA |
| 26 | T13362 | SPRING WASHER | 6.0 | EA |
| 27 | T7466 | SET SCREW | 6.0 | EA |
| 28 | T100494 | RADIATOR MOUNTING BRKT (RH) | 1.0 | EA |

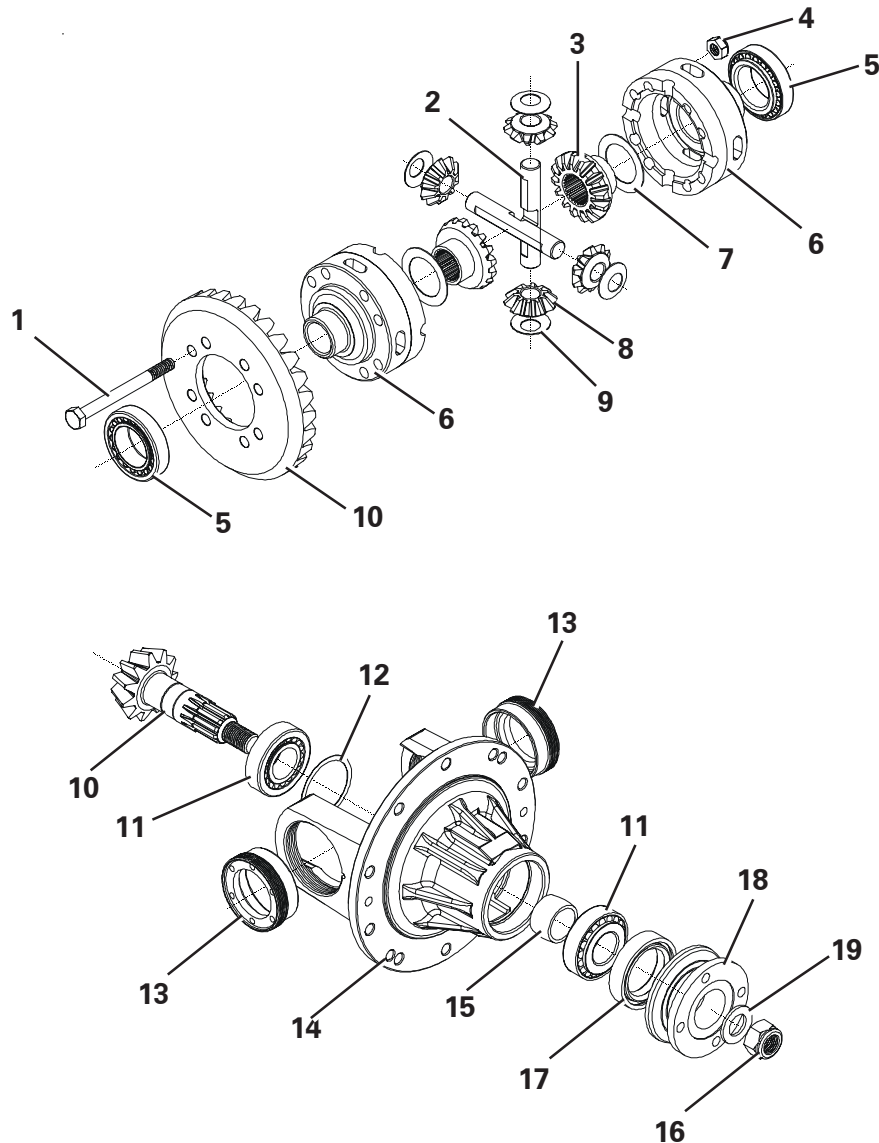
FRONT AXLE - MAIN CASE

| Item | Part No. | Description | Qty | U/M |
|------|----------|---------------------|------|-----|
| A | T100544 | FRONT AXLE ASSEMBLY | 1.0 | EA |
| 1 | T3019 | DOWEL PIN | 2.0 | EA |
| 2 | T52808 | MAIN CASE | 1.0 | EA |
| 3 | T52599 | FIXING BOLT | 10.0 | EA |
| 4* | T53442 | BREATHER | 1.0 | EA |
| 5* | T53074 | PLUG | 2.0 | EA |
| 6 | T50423 | BOND SEAL | 2.0 | EA |
| 7 | T52761 | DOWEL PIN | 6.0 | EA |
| 8 | T52756 | ANNULUS | 2.0 | EA |
| 9 | T52760 | SUN GEAR | 2.0 | EA |
| 10 | T52759 | HUB SEAL COVER | 2.0 | EA |
| 11 | T52809 | AXLE ARM | 2.0 | EA |
| 12 | T52762 | BOLT | 24.0 | EA |
| 13 | T2687 | CIRCLIP | 2.0 | EA |
| 14 | T50365 | SPACER AXLE SHAFT | 2.0 | EA |
| 15 | T2880 | SPRING DOWEL | 6.0 | EA |
| 16 | T52734 | PLANET CARRIER | 2.0 | EA |
| 17 | T52736 | PLANET PIN | 6.0 | EA |
| 18 | T50367 | THRUST WASHER | 12.0 | EA |
| 19 | T52737 | NEEDLE BEARING | 6.0 | EA |
| 20 | T52735 | PLANET GEAR | 6.0 | EA |
| 21 | T11315 | BOLT | 8.0 | EA |
| 22 | T100867 | PLAIN WASHER | 8.0 | EA |
| 23 | T14910 | NUT | 8.0 | EA |



Front Axle - Main Case

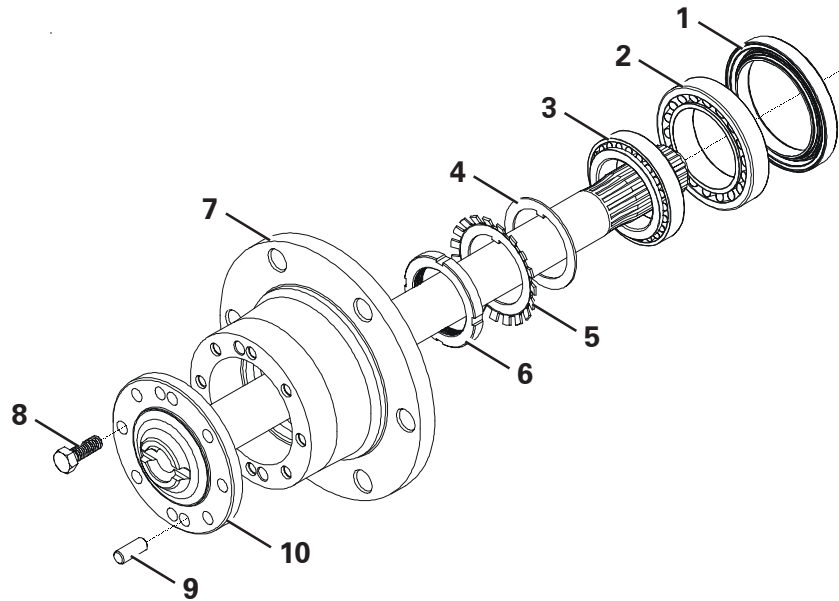
FRONT AXLE - DIFF. ASSEMBLY



| Item | Part No. | Description | Qty | U/M |
|------|----------|-------------------------|-----|-----|
| 1 | T2886 | BOLT | 8.0 | EA |
| 2 | T52733 | DIFF SPIDER (HALF) | 2.0 | EA |
| 3 | T50298 | DIFF. WHEEL | 2.0 | EA |
| 4 | T2991 | NUT | 8.0 | EA |
| 5 | T52782 | BEARING | 2.0 | EA |
| 6 | T2890 | DIFF CASE | 1.0 | EA |
| 7 | T2888 | THRUST WASHER | 2.0 | EA |
| 8 | T50299 | DIFF. PINION | 4.0 | EA |
| 9 | T3027 | THRUST WASHER | 4.0 | EA |
| 10 | T3036 | BEVEL WHEEL & PINION | 1.0 | EA |
| 11 | T2893 | PINION BEARING | 2.0 | EA |
| 12 | T50302 | SHIM 0.25MM | A/R | EA |
| | T50303 | SHIM 0.30MM | A/R | EA |
| | T50304 | SHIM 0.40MM | A/R | EA |
| 13 | T52781 | BEARING ADJUSTER NUT | 2.0 | EA |
| 14 | T52810 | INPUT PINION CARTRIDGE | 1.0 | EA |
| 15 | T2892 | SPACER | 1.0 | EA |
| 16 | T3012 | NUT | 1.0 | EA |
| 17 | T2891 | OILSEAL | 2.0 | EA |
| 18 | T52811 | INPUT DRIVE FLANGE ASSY | 1.0 | EA |
| 19 | T3013 | WASHER | 1.0 | EA |

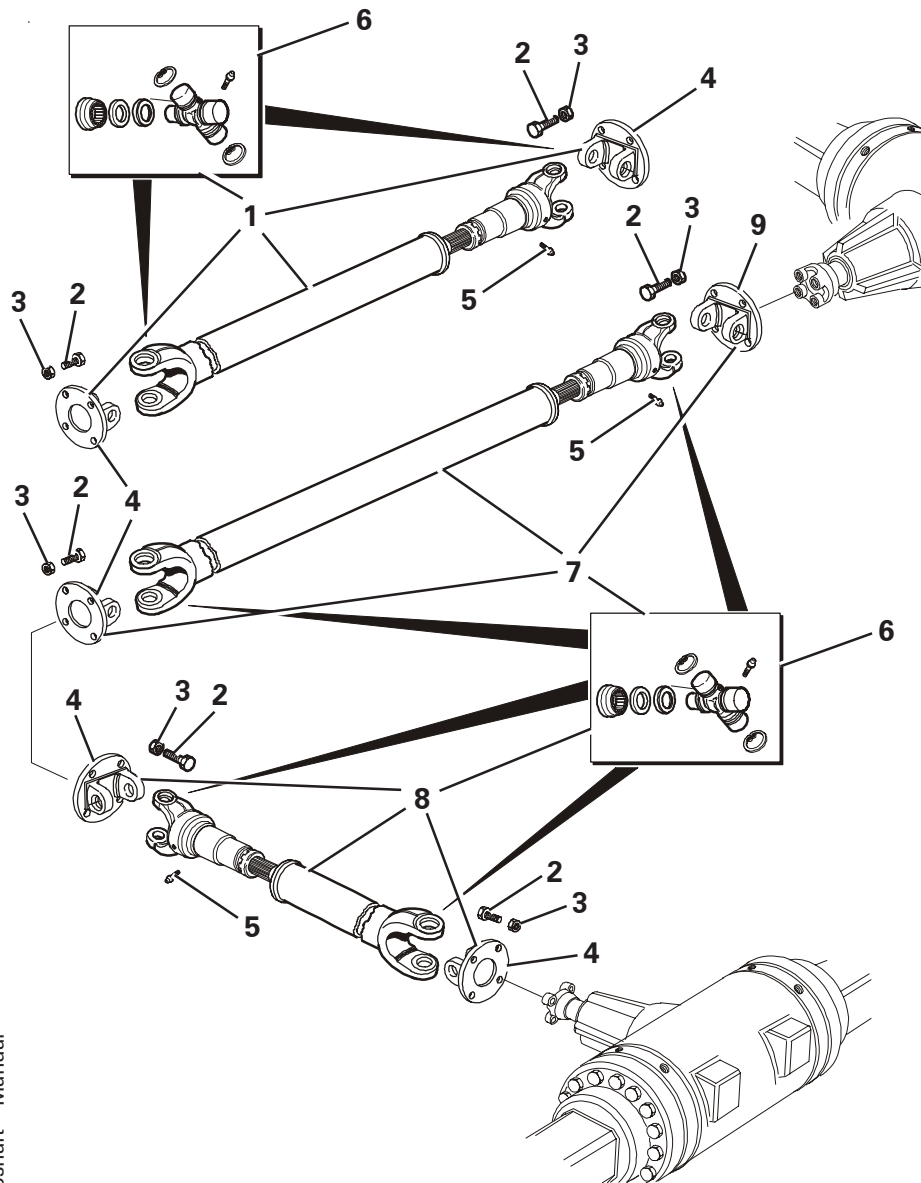
FRONT AXLE - HUB & ARM

| Item | Part No. | Description | Qty | U/M |
|------|----------|-------------|------|-----|
| 1 | T52745 | OIL SEAL | 2.0 | EA |
| 2 | T52741 | BEARING | 2.0 | EA |
| 3 | T52740 | BEARING | 2.0 | EA |
| 4 | T52742 | SPACER | 2.0 | EA |
| 5 | T52743 | LOCKWASHER | 2.0 | EA |
| 6 | T52748 | LOCKNUT | 2.0 | EA |
| 7 | T52738 | HUB | 2.0 | EA |
| 8 | T52746 | BOLT | 16.0 | EA |
| 9 | T52744 | DOWEL | 4.0 | EA |
| 10 | T52755 | AXLE SHAFT | 2.0 | EA |



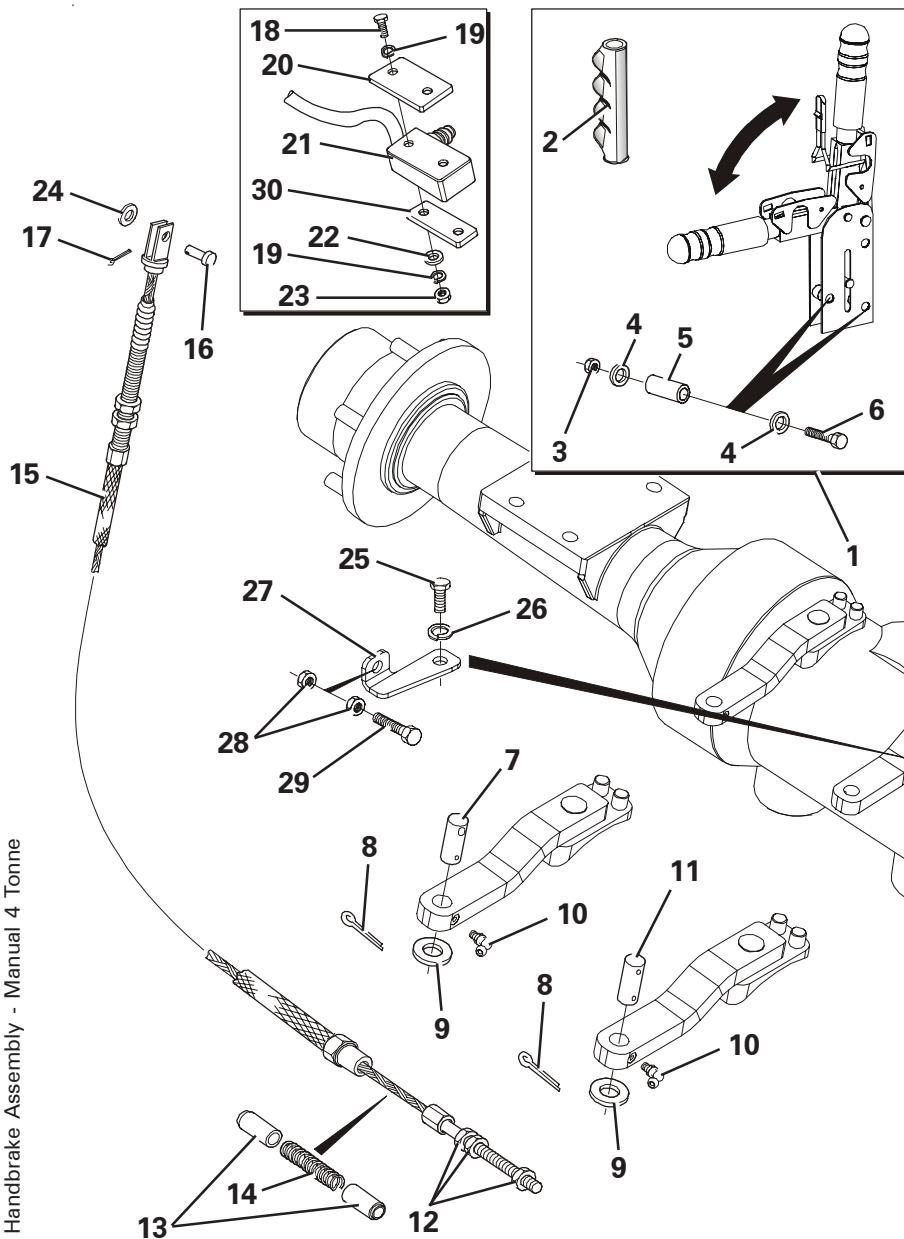
PROPSHAFTS

| Item | Part No. | Description | Qty | U/M |
|------|----------|------------------------|------|-----|
| 1 | T100834 | PROPSHAFT TOP | 1.0 | EA |
| 2 | T7628 | BOLT | 24.0 | EA |
| 3 | T7631 | PHILIDAS NUT | 24.0 | EA |
| 4 | T52813 | FLANGE | 6.0 | EA |
| 5 | T13454 | STRAIGHT GREASE NIPPLE | 3.0 | EA |
| 6 | T52812 | UNIVERSAL JOINT | 6.0 | EA |
| 7 | T100835 | PROPSHAFT REAR | 1.0 | EA |
| 8 | T100833 | PROPSHAFT FRONT | 1.0 | EA |
| 9 | T53052 | FLANGE | 1.0 | EA |



HANDBRAKE ASSEMBLY

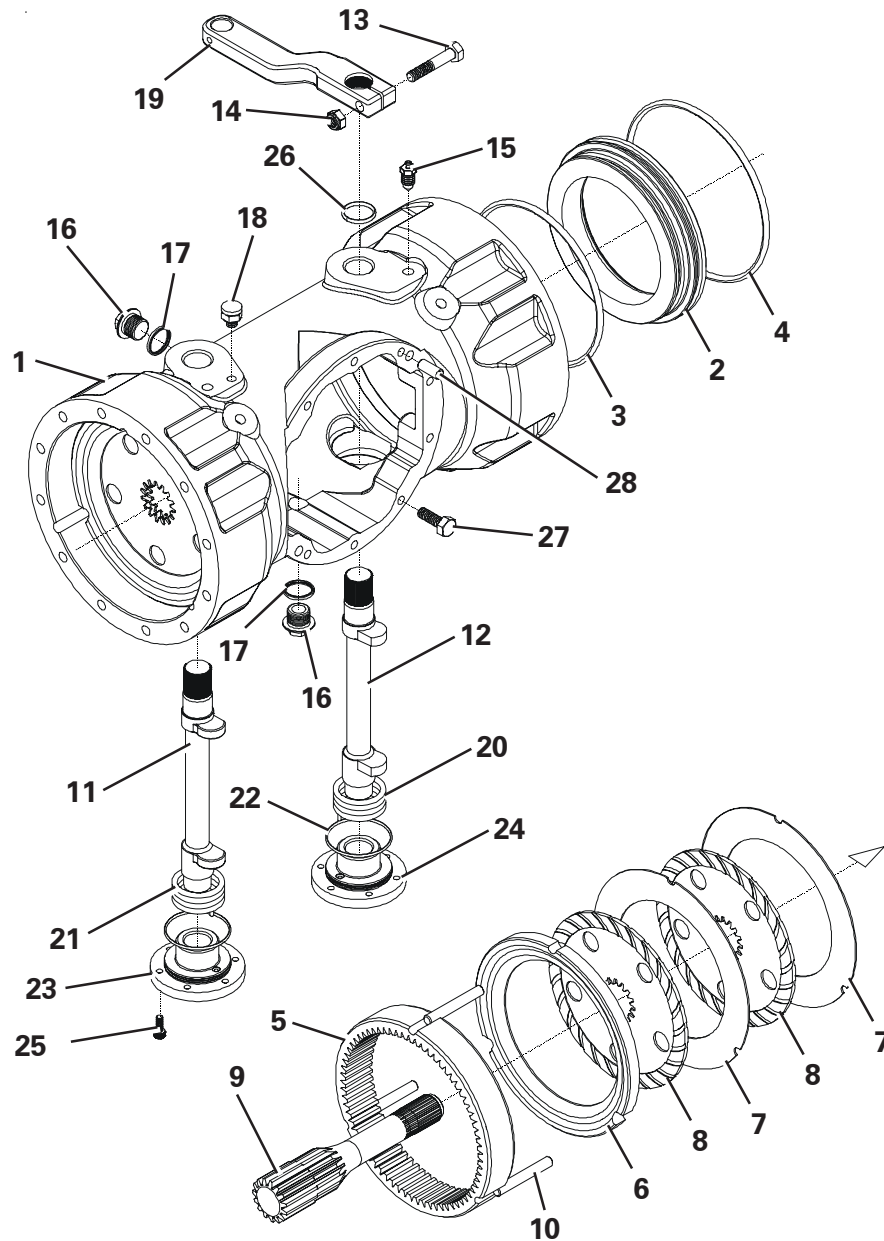
| Item | Part No. | Description | Qty | U/M |
|------|----------|-----------------------------|-----|-----|
| 1 | T100893 | HANDBRAKE LEVER | 1.0 | EA |
| 2 | T52947 | GRIP | 1.0 | EA |
| 3 | T13064 | NYLOC NUT | 2.0 | EA |
| 4 | T15819 | WASHER | 4.0 | EA |
| 5 | T10869 | SPACER | 2.0 | EA |
| 6 | T16501 | BOLT | 2.0 | EA |
| 7 | T12210 | HANDBRAKE CABLE GUIDE | 1.0 | EA |
| 8 | T6751 | SPLIT PIN | 2.0 | EA |
| 9 | T6766 | WASHER | 2.0 | EA |
| 10 | T16587 | GREASE NIPPLE | 2.0 | EA |
| 11 | T12211 | HANDBRAKE CABLE STOP | 1.0 | EA |
| 12 | T6719 | NUT | 3.0 | EA |
| 13 | T11768 | SPRING SUPPORT | 2.0 | EA |
| 14 | T9722 | GALVANISED HANDBRAKE SPRING | 1.0 | EA |
| 15 | T100957 | HANDBRAKE CABLE | 1.0 | EA |
| 16 | T14101 | CLEVIS PIN | 1.0 | EA |
| 17 | T6702 | SPLIT PIN | 1.0 | EA |
| 18 | T13321 | SET SCREW | 2.0 | EA |
| 19 | T11439 | SPRING WASHER | 4.0 | EA |
| 20 | T13289 | BACKING PLATE | 1.0 | EA |
| 21 | T100912 | MICRO SWITCH | 1.0 | EA |
| 22 | T11440 | WASHER | 2.0 | EA |
| 23 | T11447 | NUT | 2.0 | EA |
| 24 | T12973 | PLAIN WASHER | 1.0 | EA |
| 25 | T15641 | SET SCREW | 1.0 | EA |
| 26 | T12972 | SPRING WASHER | 1.0 | EA |
| 27 | T100905 | BRAKE LEVER STOP BRKT | 1.0 | EA |
| 28 | T10431 | NUT | 2.0 | EA |
| 29 | T11433 | SET SCREW | 1.0 | EA |
| 30* | T101186 | MICROSWITCH SPACER | 1.0 | EA |



Handbrake Assembly - Manual 4 Tonne

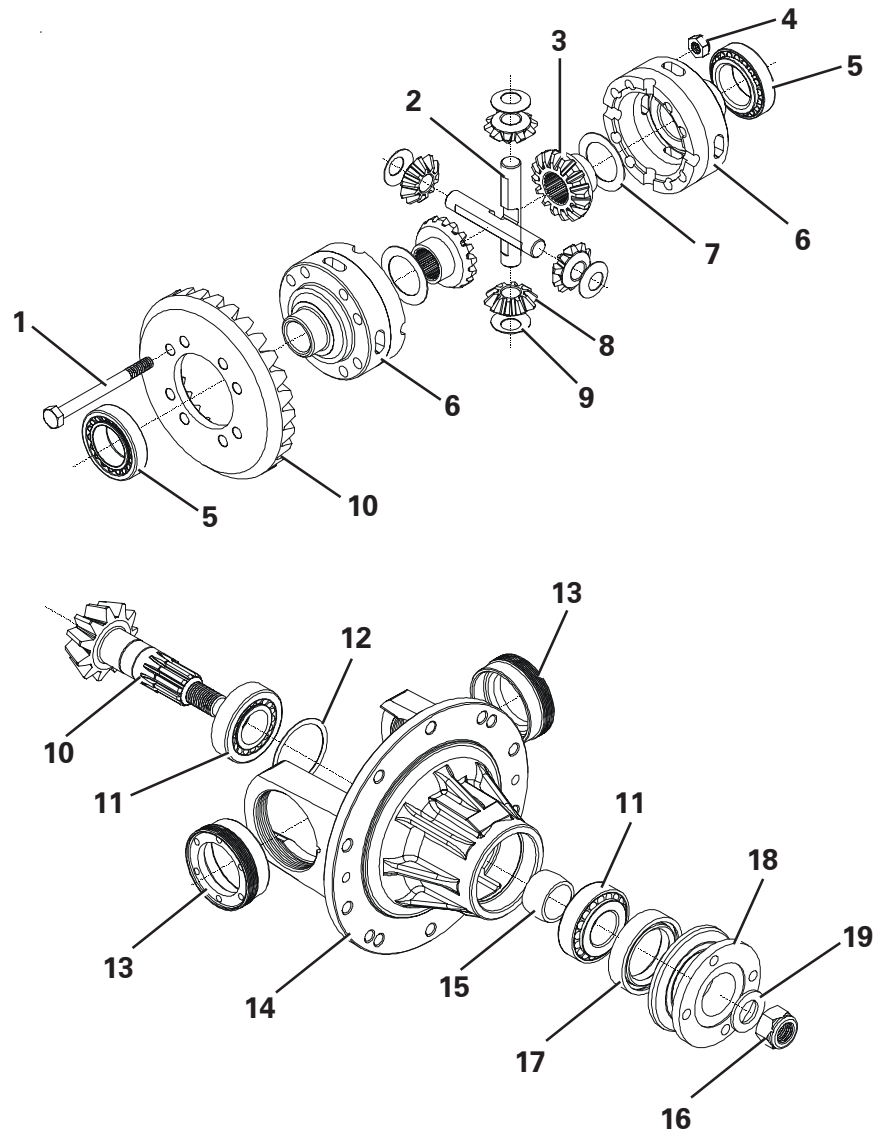
REAR AXLE - MAIN CASE

| Item | Part No. | Description | Qty | U/M |
|------|----------|-----------------------|------|-----|
| A | T101031 | REAR AXLE ASSEMBLY | 1.0 | EA |
| 1 | T52749 | MAIN CASE | 1.0 | EA |
| 2 | T2872 | BRAKE PISTON | 2.0 | EA |
| 3 | T2871 | 'O' RING | 2.0 | EA |
| 4 | T2870 | 'O' RING | 2.0 | EA |
| 5 | T52756 | ANNULUS | 2.0 | EA |
| 6* | T53200 | SPACER PLATE | 2.0 | EA |
| 7* | T53197 | BRAKE PLATE | 4.0 | EA |
| 8* | T53198 | BRAKE DISC | 4.0 | EA |
| 9 | T52760 | SUN GEAR | 2.0 | EA |
| 10 | T52761 | DOWEL PIN | 6.0 | EA |
| 11 | T52763 | BRAKE LEVER LH | 1.0 | EA |
| 12 | T52764 | BRAKE LEVER RH | 1.0 | EA |
| 13 | T52767 | BOLT | 2.0 | EA |
| 14 | T2991 | NUT | 2.0 | EA |
| 15 | T3038 | BLEED NIPPLE | 1.0 | EA |
| 16* | T53074 | PLUG | 2.0 | EA |
| 17 | T50423 | BOND SEAL | 2.0 | EA |
| 18* | T53442 | BREATHER | 1.0 | EA |
| 19 | T52751 | BRAKE OPERATING LEVER | 2.0 | EA |
| 20 | T2849 | SPRING | 1.0 | EA |
| 21 | T2861 | SPRING | 1.0 | EA |
| 22 | T52791 | 'O' RING | 2.0 | EA |
| 23 | T52752 | COVER LH | 1.0 | EA |
| 24 | T52753 | COVER RH | 1.0 | EA |
| 25 | T52754 | SCREW | 12.0 | EA |
| 26 | T50756 | 'O' RING | 2.0 | EA |
| 27 | T52926 | BOLT | 10.0 | EA |
| 28 | T3019 | DOWEL PIN | 2.0 | EA |



Rear Axle - Main Case and Brakes - Manual

REAR AXLE - DIFF. ASSEMBLY

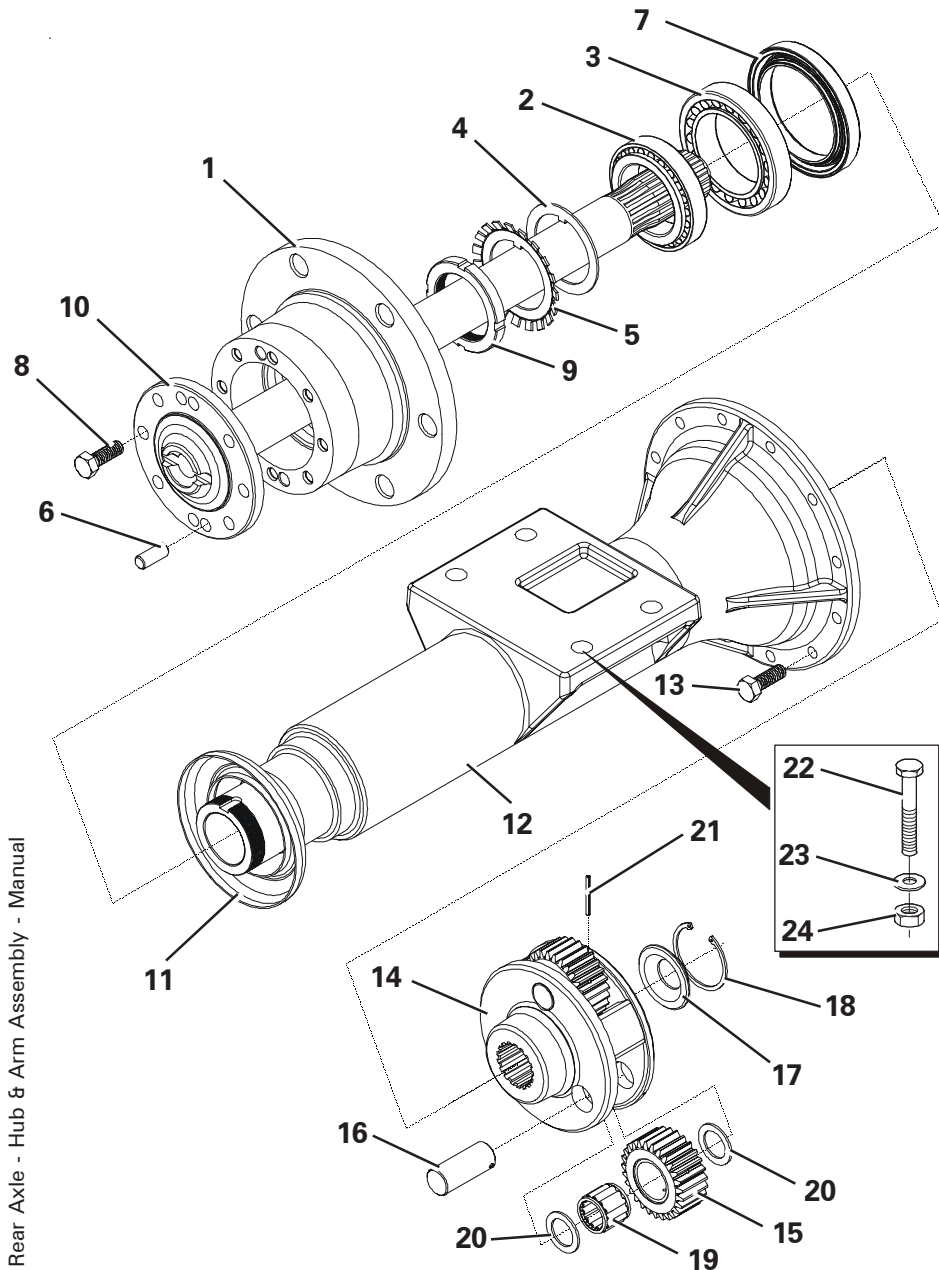


| Item | Part No. | Description | Qty | U/M |
|------|----------|----------------------|-----|-----|
| 1 | T2886 | BOLT | 8.0 | EA |
| 2 | T52733 | DIFF SPIDER | 2.0 | EA |
| 3 | T50298 | DIFF. WHEEL | 2.0 | EA |
| 4 | T2991 | NUT | 8.0 | EA |
| 5 | T3716 | TAPER BEARING | 2.0 | EA |
| 6 | T2890 | DIFF CASE | 1.0 | EA |
| 7 | T2888 | THRUST WASHER | 2.0 | EA |
| 8 | T50299 | DIFF. PINION | 4.0 | EA |
| 9 | T3027 | THRUST WASHER | 4.0 | EA |
| 10 | T52815 | BEVEL WHEEL & PINION | 1.0 | EA |
| 11 | T2893 | BEARING | 2.0 | EA |
| 12 | T50302 | SHIM 0.25MM | A/R | EA |
| | T50303 | SHIM 0.30MM | A/R | EA |
| | T50304 | SHIM 0.40MM | A/R | EA |
| 13 | T52781 | ADJUSTER NUT | 2.0 | EA |
| 14 | T52810 | PINION CARTRIDGE | 1.0 | EA |
| 15 | T2892 | SPACER | 1.0 | EA |
| 16 | T3012 | NUT FLANGE | 1.0 | EA |
| 17 | T53054 | OILSEAL | 2.0 | EA |
| 18 | T52811 | FLANGE | 1.0 | EA |
| 19 | T3013 | WASHER | 1.0 | EA |

REAR AXLE - HUB & ARM

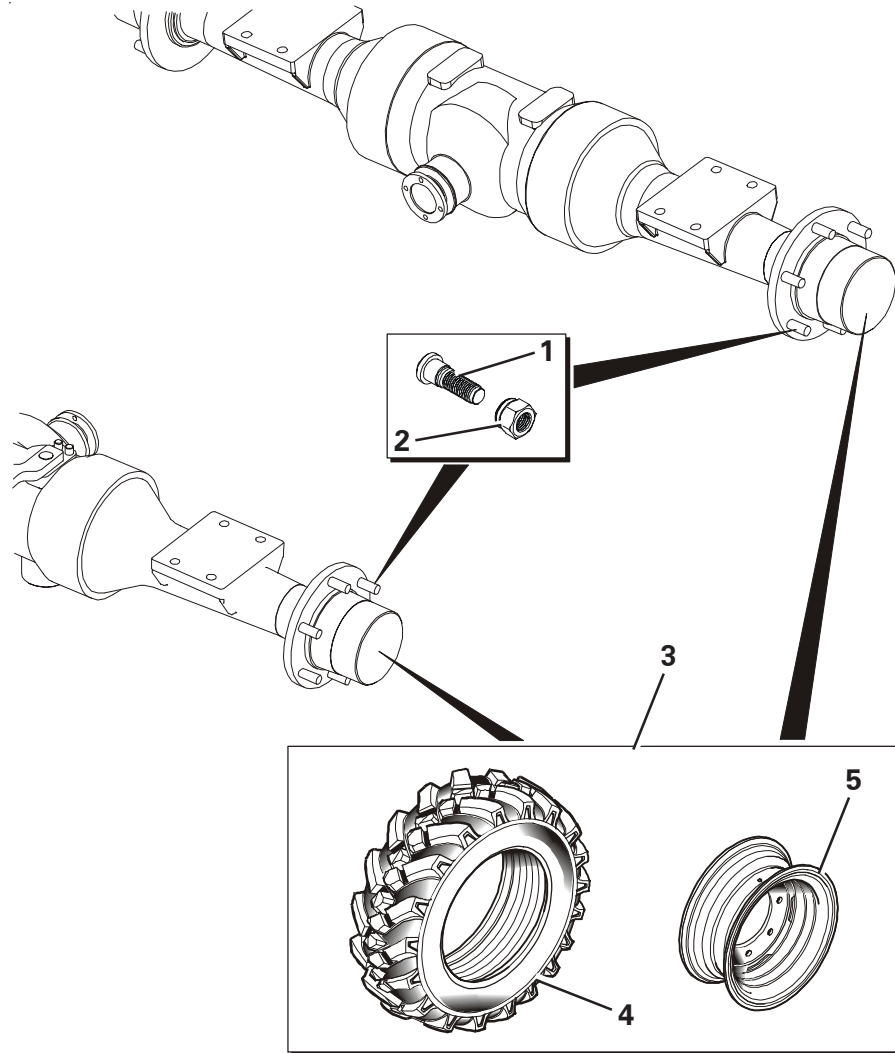
| Item | Part No. | Description | Qty | U/M |
|------|----------|----------------|------|-----|
| 1 | T52738 | HUB | 2.0 | EA |
| 2 | T52740 | BEARING | 2.0 | EA |
| 3 | T52741 | BEARING | 2.0 | EA |
| 4 | T52742 | SPACER | 2.0 | EA |
| 5 | T52743 | LOCKWASHER | 2.0 | EA |
| 6 | T52744 | DOWEL | 4.0 | EA |
| 7 | T52745 | OIL SEAL | 2.0 | EA |
| 8 | T52746 | BOLT | 16.0 | EA |
| 9 | T52748 | LOCKNUT | 2.0 | EA |
| 10 | T52755 | AXLE SHAFT | 2.0 | EA |
| 11 | T52759 | HUB SEAL COVER | 2.0 | EA |
| 12 | T52809 | AXLE ARM | 2.0 | EA |
| 13 | T52762 | BOLT | 24.0 | EA |
| 14 | T52734 | PLANET CARRIER | 2.0 | EA |
| 15 | T52735 | PLANET GEAR | 6.0 | EA |
| 16 | T52736 | PLANET PIN | 6.0 | EA |
| 17 | T50365 | SPACER | 2.0 | EA |
| 18 | T2687 | CIRCLIP | 2.0 | EA |
| 19 | T52737 | NEEDLE BEARING | 6.0 | EA |
| 20 | T50367 | THRUST WASHER | 12.0 | EA |
| 21 | T2880 | SPRING DOWEL | 6.0 | EA |
| 22 | T11315 | BOLT | 8.0 | EA |
| 23 | T100867 | PLAIN WASHER | 8.0 | EA |
| 24 | T14910 | STOVER NUT | 8.0 | EA |

Rear Axle - Hub & Arm Assembly - Manual

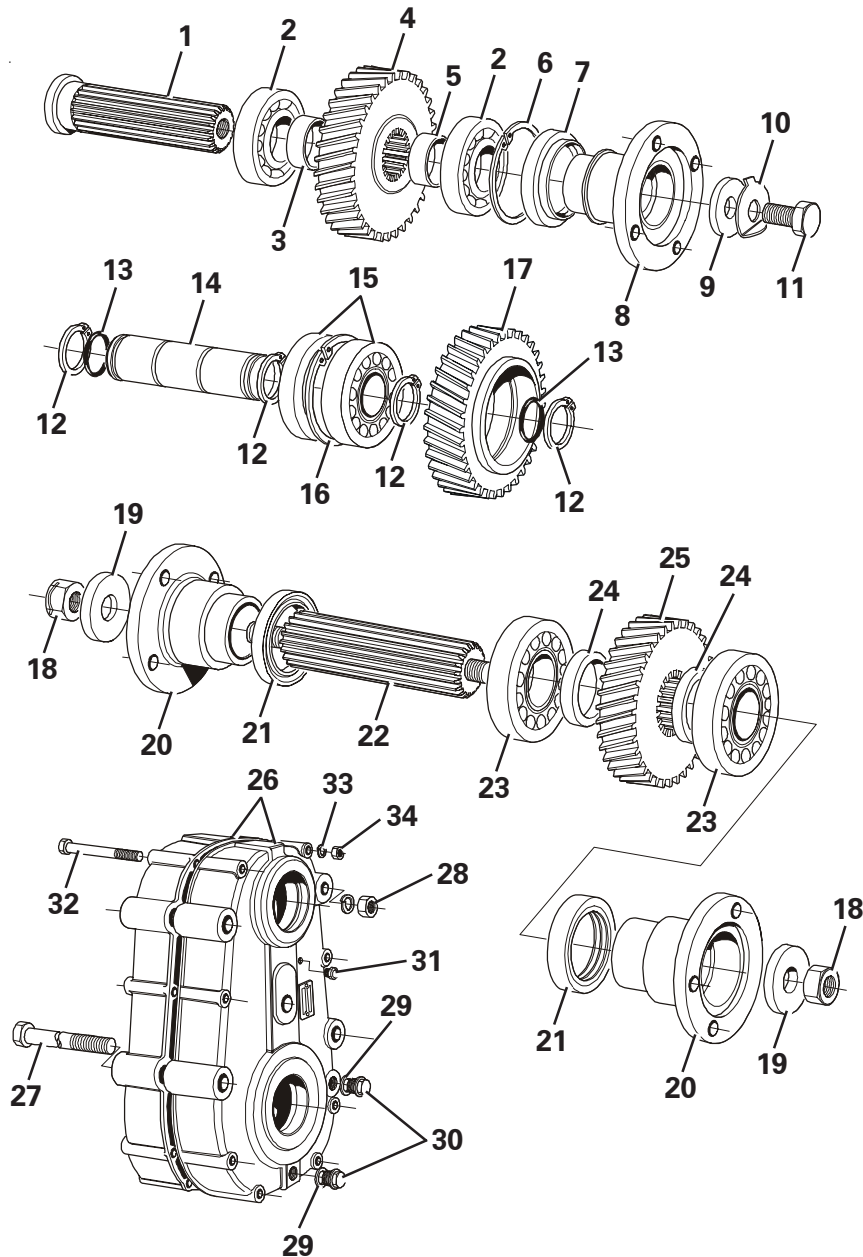


WHEEL ASSEMBLY

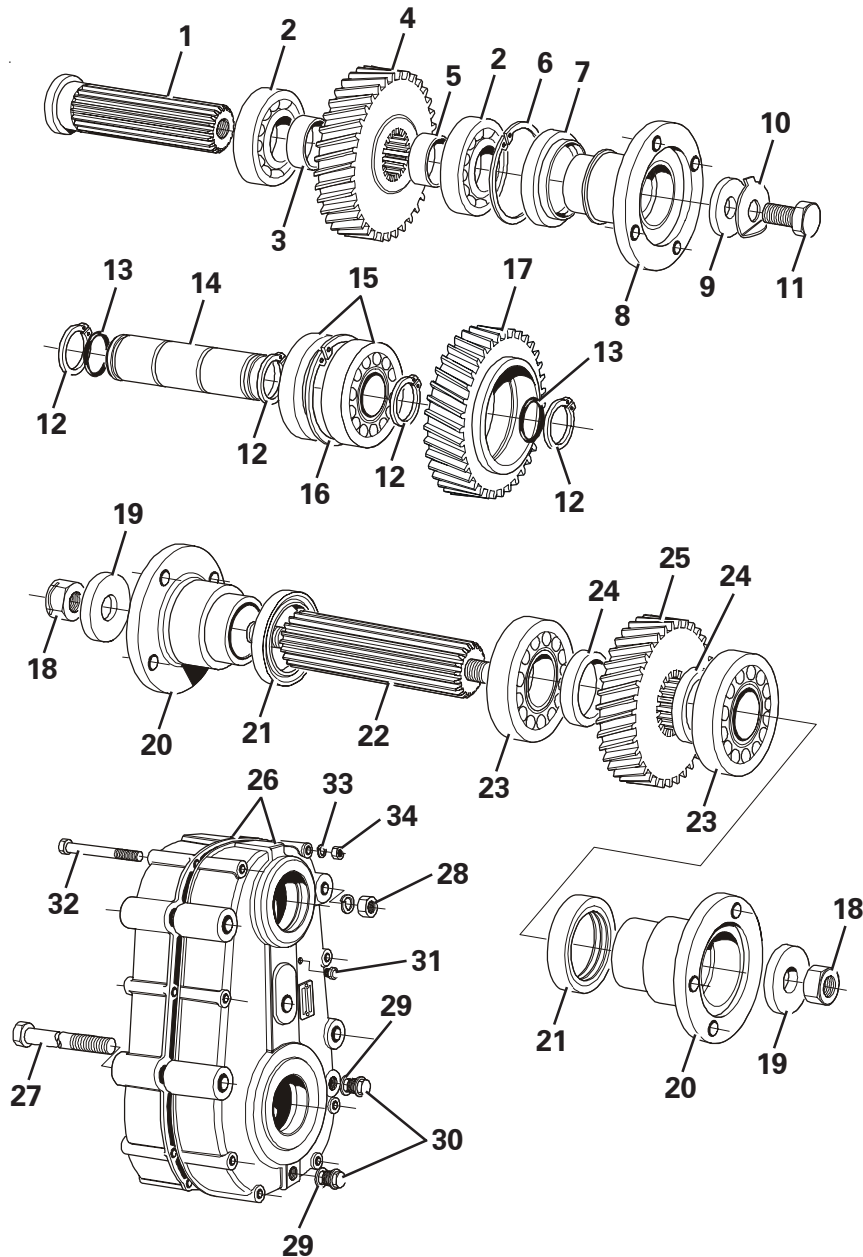
| Item | Part No. | Description | Qty | U/M |
|------|----------|-------------|------|-----|
| 1 | T52739 | WHEEL STUD | 24.0 | EA |
| 2 | T52747 | WHEEL NUT | 24.0 | EA |
| 3 | T100818 | WHEEL ASSY | 4.0 | EA |
| 4 | T100819 | TYRE | 1.0 | EA |
| 5 | T100677 | WHEEL RIM | 1.0 | EA |



TRANSFER BOX



| Item | Part No. | Description | Qty | U/M |
|------|----------|-----------------------|-----|-----|
| A | T12168 | TRANSFER BOX ASSEMBLY | 1.0 | EA |
| 1 | T3495 | INPUT SHAFT | 1.0 | EA |
| 2 | T4540 | BEARING | 2.0 | EA |
| 3 | T3440 | SPACER | 1.0 | EA |
| 4 | T2909 | INPUT GEAR | 1.0 | EA |
| 5 | T3439 | SPACER | 1.0 | EA |
| 6 | T3113 | CIRCLIP | 1.0 | EA |
| 7 | T4531 | OILSEAL | 1.0 | EA |
| 8 | T4200 | COUPLING | 1.0 | EA |
| 9 | T3646 | WASHER | 1.0 | EA |
| 10 | T4443 | LOCK WASHER | 1.0 | EA |
| 11 | T3483 | SCREW | 1.0 | EA |
| 12 | T2379 | CIRCLIP | 4.0 | EA |
| 13 | T3446 | O RING | 2.0 | EA |
| 14 | T3441 | IDLER SHAFT | 1.0 | EA |
| 15 | T4435 | BEARING | 2.0 | EA |
| 16 | T4431 | CIRCLIP | 1.0 | EA |
| 17 | T2908 | IDLER GEAR | 1.0 | EA |



TRANSFER BOX

| Item | Part No. | Description | Qty | U/M |
|------|----------|---------------|-----|-----|
| 18 | T3475 | NUT | 2.0 | EA |
| 19 | T3477 | WASHER | 2.0 | EA |
| 20 | T3487 | COUPLING | 2.0 | EA |
| 21 | T3112 | OILSEAL | 2.0 | EA |
| 22 | T3490 | SHAFT | 1.0 | EA |
| 23 | T3111 | BEARING | 2.0 | EA |
| 24 | T3115 | SPACER | 2.0 | EA |
| 25 | T3116 | GEAR WHEEL | 1.0 | EA |
| 26 | T2823 | GEARCASE | 1.0 | EA |
| 27 | T11360 | BOLT | 4.0 | EA |
| | T14066 | COPPER WASHER | 4.0 | EA |
| 28 | T11345 | PHILIDAS NUT | 4.0 | EA |
| 29 | T3769 | FIBRE WASHER | 2.0 | EA |
| 30 | T3770 | PLUG | 2.0 | EA |
| 31 | T4418 | BREATHER | 1.0 | EA |
| 32 | T3472 | BOLT | 8.0 | EA |
| 33 | T6705 | SPRING WASHER | 8.0 | EA |
| 34 | T9775 | NUT | 8.0 | EA |

OPTIONAL EXTRAS

| Part No. | Description | Qty | U/M |
|----------|-------------------------------------|-----|-----|
| T100133 | ROTATING BEACON | 1.0 | EA |
| T100308 | XENON BEACON | 1.0 | EA |
| KIT 72 | ACCESSORIES - REVERSE ALARM | 1.0 | EA |
| KIT 242 | ACCESSORIES - ELECTRONIC SHUTDOWN | 1.0 | EA |
| T100743 | ANTI SLIP PADS (MUDGUARDS) | 4.0 | EA |
| T100939 | ACCESSORIES - ROPS FRAME KIT | 1.0 | EA |
| T100940 | ACCESSORIES - HINGED ROPS FRAME KIT | 1.0 | EA |
| KIT 265 | TRANSFER SET - 4 TONNE | 1.0 | EA |

MODIFIED AND ADDITIONAL PARTS

| Old Part No. | Qty | Description | Page | Item | Prefix | New Part No. |
|--------------|-----|-------------------------------|------|------|--------|--------------|
| T100655 | 1.0 | STEERING RAM | 22 | 1 | 2 | T101017 |
| T53055 | 1.0 | ROD ASSY | 22 | 2 | 2 | T53058 |
| T53056 | 1.0 | SEAL KIT | 22 | 8 | 2 | T53059 |
| T53057 | 1.0 | SPACER | 22 | 23 | 2 | T53060 |
| ADDED | 1.0 | MICROSWITCH SPACER | 40 | 30 | - | T101186 |
| T4248 | 2.0 | PLUG | 36 | 5 | - | T53074 |
| T4248 | 2.0 | PLUG | 41 | 16 | - | T53074 |
| ADDED | 1.0 | HYDRAULIC TANK GUARD | 18 | 35 | - | T101241 |
| T100757 | 1.0 | BATTERY STRAP TOP | 13 | 20 | - | T100432 |
| T100624 | 1.0 | RADIATOR | 35 | 4 | 3 | T101364 |
| T53051 | 1.0 | RADIATOR COWL | 35 | 22 | 3 | T53107 |
| T14282 | 4.0 | ENGINE MOUNT | 25 | 8 | 4 | T14564 |
| T100212 | 2.0 | HINGE WITH GREASE NIPPLE | 4 | 13 | - | DELETED |
| ADDED | 1.0 | HINGE RH (WITH GREASE NIPPLE) | 4 | 13 | - | T101780 |
| ADDED | 1.0 | HINGE LH (WITH GREASE NIPPLE) | 4 | 32 | - | T101779 |
| T19788 | 1.0 | ADAPTOR | 18 | 26 | - | DELETED |
| T52694 | 1.0 | SUCTION ELEMENT | 18 | 27 | - | T101240 |
| T12858 | 4.0 | BOLT | 12 | 12 | 5 | T101725 |
| T7631 | 4.0 | PHILIDAS NUT | 12 | 13 | 5 | T101724 |

MODIFIED AND ADDITIONAL PARTS TO AXLES - T100544

| Old Part No. | Qty | Description | Page | Item | Serial No. | New Part No. |
|--------------|-----|-------------|------|------|------------|--------------|
| T52750 | 1.0 | BREATHER | 36 | 4 | - | T53442 |

MODIFIED AND ADDITIONAL PARTS TO AXLES - T101031

| Old Part No. | Qty | Description | Page | Item | Serial No. | New Part No. |
|--------------|-----|--|------|-------|------------|--------------|
| T52757 | 2.0 | SPACER PLATE | 41 | 6 | 1673090 | T53200 |
| T52758 | 4.0 | BRAKE PLATE | 41 | 7 | 1673090 | T53197 |
| T2854 | 4.0 | BRAKE DISC | 41 | 8 | 1673090 | T53198 |
| N/A | 1.0 | BRAKE PLATE KIT (CONSISTING THE ABOVE) | 41 | 6,7,8 | 1673090 | KIT 281 |

NEW AND OLD PARTS MUST NOT BE MIXED. PLEASE ORDER KIT 281 WHEN REPLACING OLD PARTS.

| | | | | | | |
|--------|-----|----------|----|----|---|--------|
| T52750 | 1.0 | BREATHER | 41 | 18 | - | T53442 |
|--------|-----|----------|----|----|---|--------|

MODIFIED AND ADDITIONAL PARTS

| Old Part No. | Qty | Description | Page | Item | Prefix | New Part No. |
|--------------|-----|-------------|------|------|--------|--------------|
|--------------|-----|-------------|------|------|--------|--------------|

Service and Warranty

Thwaites give a warranty which, subject to certain conditions, gives an assurance as to the quality of their product.

The Thwaites warranty states:-

In the manufacture of Thwaites machines we endeavour to ensure that only the best workmanship and materials are used. Consequently, provided:-

1. The machine has been properly used in accordance with our recommendations and,
2. That no alterations have been made to the machine without prior written approval and,
3. That the machine has been maintained, serviced and lubricated in accordance with our recommendations and,
4. That Thwaites Warranty Certificate and/or New Machine Delivery Report has been completed and received by Thwaites within one month of delivery to the user.
5. That Thwaites receive a correctly completed Warranty Claim form within thirty days of the failure occurring.
6. **UK**
That the alleged defective parts are returned to Thwaites within 6 weeks of date of failure.
7. **All other territories**
That unless otherwise instructed the alleged defective parts are to be stored for inspection for a 6 month period from date of failure.

We will examine the alleged defective part and if we are reasonably satisfied that any defect is solely due to bad workmanship or materials, we will at our cost and at our option either repair any defective part or supply a replacement part in full discharge of all obligations upon us.

This warranty does not, however, extend to reconditioned or second-hand machines. For the avoidance of doubt, we will not entertain any other claims of a direct or consequential nature of whatsoever description and our responsibility is limited to the above.

The above warranty shall in no way detract from your statutory rights

Warranty

It is important to use only genuine Thwaites Limited spare parts and to adhere strictly to the conditions of operation and maintenance laid down by Thwaites Limited.

Your warranty may be invalidated if you do not comply with the above recommendations.